










page

- 3     Technical informations
  
- 4     Angle valves
  
- 6     Double angle valves
  
- 8     Cross valves
  
- 10    Change-over valves
  
- 18    Bottom seat valves
  
- 28    Inclined seat valves



# Hygienic single seat valves

**RIEGER**

---



# Hygienic single seat valves

# RIEGER

**RIEGER-Hygienic single seat valves** are used where a maximum of productivity, safety and quality is required. They can be found in plants of dairies, the food industry, the pharmaceutical and the chemical industries and in biotechnology. The progressive valve program, thousandfold proven in daily applications, enables high flexibility within the individual production series.

This is way RIEGER-Hygienic single seat valves ensure the perfect solution for our customers.

## Your advantages

<b>Construction</b>	solid housing no dead space completely drainable all built-in positions possible
<b>Design</b>	high-grade inner surfaces no dome or sump in product space
<b>Maintenance</b>	change of seals without special tools less standing times optimum cleanability
<b>Efficiency</b>	modular assembly system standard seals low spare part costs

## Technical Data

<b>Material</b>	in product	1.4404/AISI316L
	contact	1.4435/AISI316L
	optional	1.4301/AISI304
	non product	
	contact	
<b>Seals</b>	O-rings	EPDM (FDA)
<b>Temperatures maximum</b>	operating	130 °C
	temperature	
	sterilisation	150 °C* short-time (ca. 20 min)
<b>Operating pressure</b>	closing	max. 6 bar
	pressure	
	actuator air	min 6 bar - max. 10 bar
<b>Surfaces</b>	in product	Ra <= 0,8 µm
	contact	e-polished, other
	optional	surfaces on request
	non product	Ra <=1,6 µm
	contact	
<b>Connections Standard-pipes</b>		DIN 11850-R2 (DIN 11866 A)
		O.D.-Tube (DIN 11866 C)
		DIN EN ISO 1127 (DIN 11866-B)

\*dependent upon operating conditions



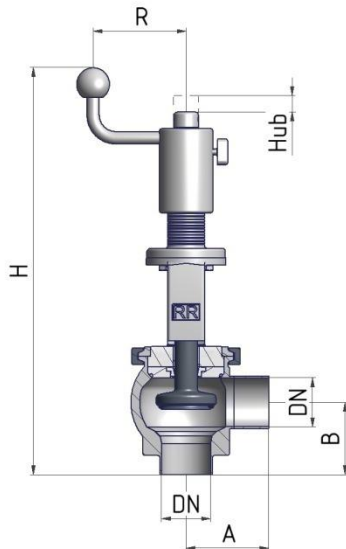


# Hygienic single seat valves

**RIEGER**

## Hygienic angle valve E4

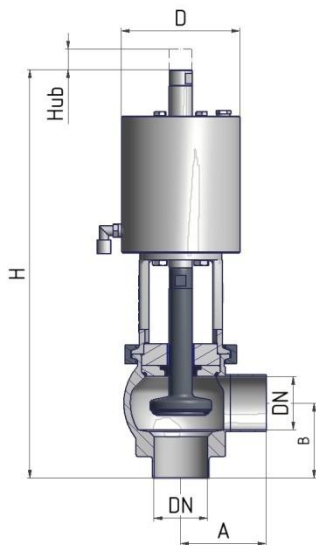
manual – with crank



DN	pipe	A	B	R	L	stroke	kg
25	29 x 1,5	50	50	73	310	18	
40	41 x 1,5	60	60	73	330	18	
50	53 x 1,5	80	70	90	400	22	
65	70 x 2	100	80	90	415	25	
80	85 x 2	125	90	90	445	33	
100	104 x 2	150	100	90	465	35	
1"	25,4 x 1,65	50	50	73	310	18	
1 1/2"	38,1 x 1,65	60	60	73	330	18	
2"	50,8 x 1,65	80	70	90	400	22	
2 1/2"	63,5 x 1,65	100	80	90	415	25	
3"	76,2 x 1,65	125	90	90	445	33	
4"	101,6 x 2,11	150	100	90	465	35	

## Hygienic angle valve E31

pneumatic – air to open – spring to close



DN	pipe	A	B	D	L	stroke	kg
25	29 x 1,5	50	50	90	310	18	
40	41 x 1,5	60	60	90	325	18	
50	53 x 1,5	80	70	110	384	22	
65	70 x 2	100	80	133	445	25	
80	85 x 2	125	90	160	509	33	
100	104 x 2	150	100	168	527	35	
1"	25,4 x 1,65	50	50	90	310	18	
1 1/2"	38,1 x 1,65	60	60	90	325	18	
2"	50,8 x 1,65	80	70	110	384	22	
2 1/2"	63,5 x 1,65	100	80	133	445	25	
3"	76,2 x 1,65	125	90	160	509	33	
4"	101,6 x 2,11	150	100	168	527	35	



## Hygienic angle valve E4

manual – with crank

EPDM E4.01		
DN	reference number	price
25	40040.1000.01.0004.32	516 €
40	40040.1000.01.0006.32	593 €
50	40040.1000.01.0007.32	654 €
65	40040.1000.01.0008.32	920 €
80	40040.1000.01.0009.32	1380 €
100	40040.1000.01.0010.32	1585 €
1"	40040.1000.01.0024.32	516 €
1 1/2"	40040.1000.01.0026.32	593 €
2"	40040.1000.01.0027.32	654 €
2 1/2"	40040.1000.01.0028.32	920 €
3"	40040.1000.01.0029.32	1380 €
4"	40040.1000.01.0030.32	1585 €

## Hygienic angle valve E31

pneumatic – air to open – spring to close

EPDM E31.01		
DN	reference number	price
25	40010.1000.01.0004.32	716 €
40	40010.1000.01.0006.32	833 €
50	40010.1000.01.0007.32	890 €
65	40010.1000.01.0008.32	1329 €
80	40010.1000.01.0009.32	1841 €
100	40010.1000.01.0010.32	2045 €
1"	40010.1000.01.0024.32	716 €
1 1/2"	40010.1000.01.0026.32	833 €
2"	40010.1000.01.0027.32	890 €
2 1/2"	40010.1000.01.0028.32	1329 €
3"	40010.1000.01.0029.32	1841 €
4"	40010.1000.01.0030.32	2045 €

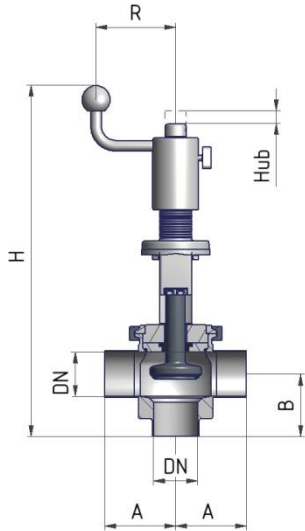


# Hygienic single seat valves

**RIEGER**

## Hygienic double angle valve E4

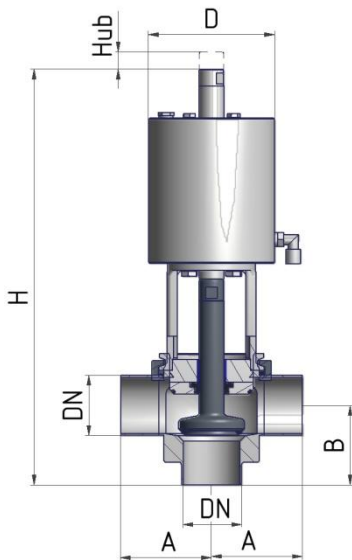
manual – with crank



DN	pipe	A	B	R	L	stroke	kg
25	29 x 1,5	50	50	73	310	18	
40	41 x 1,5	60	60	73	330	18	
50	53 x 1,5	80	70	90	400	22	
65	70 x 2	100	80	90	415	25	
80	85 x 2	125	90	90	445	33	
100	104 x 2	150	100	90	465	35	
1"	25,4 x 1,65	50	50	73	310	18	
1 1/2"	38,1 x 1,65	60	60	73	330	18	
2"	50,8 x 1,65	80	70	90	400	22	
2 1/2"	63,5 x 1,65	100	80	90	415	25	
3"	76,2 x 1,65	125	90	90	445	33	
4"	101,6 x 2,11	150	100	90	465	35	

## Hygienic double angle valve E31

pneumatic – air to open – spring to close



DN	pipe	A	B	D	L	stroke	kg
25	29 x 1,5	50	50	90	310	18	
40	41 x 1,5	60	60	90	325	18	
50	53 x 1,5	80	70	110	384	22	
65	70 x 2	100	80	133	445	25	
80	85 x 2	125	90	160	509	33	
100	104 x 2	150	100	168	527	35	
1"	25,4 x 1,65	50	50	90	310	18	
1 1/2"	38,1 x 1,65	60	60	90	325	18	
2"	50,8 x 1,65	80	70	110	384	22	
2 1/2"	63,5 x 1,65	100	80	133	445	25	
3"	76,2 x 1,65	125	90	160	509	33	
4"	101,6 x 2,11	150	100	168	527	35	



## Hygienic double angle valve E4

manual – with crank

### EPDM E4.11

DN	reference number	price
25	40140.1000.01.0004.32	562 €
40	40140.1000.01.0006.32	570 €
50	40140.1000.01.0007.32	736 €
65	40140.1000.01.0008.32	997 €
80	40140.1000.01.0009.32	1457 €
100	40140.1000.01.0010.32	1687 €
1"	40140.1000.01.0024.32	562 €
1 1/2"	40140.1000.01.0026.32	570 €
2"	40140.1000.01.0027.32	736 €
2 1/2"	40140.1000.01.0028.32	997 €
3"	40140.1000.01.0029.32	1457 €
4"	40140.1000.01.0030.32	1687 €

## Hygienic double angle valve E31

pneumatic – air to open – spring to close

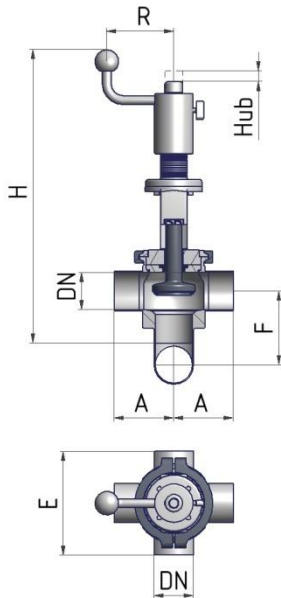
### EPDM E31.11

DN	reference number	price
25	40110.1000.01.0004.32	762 €
40	40110.1000.01.0006.32	910 €
50	40110.1000.01.0007.32	971 €
65	40110.1000.01.0008.32	1406 €
80	40110.1000.01.0009.32	1917 €
100	40110.1000.01.0010.32	2147 €
1"	40110.1000.01.0024.32	762 €
1 1/2"	40110.1000.01.0026.32	910 €
2"	40110.1000.01.0027.32	971 €
2 1/2"	40110.1000.01.0028.32	1406 €
3"	40110.1000.01.0029.32	1917 €
4"	40110.1000.01.0030.32	2147 €



## Hygienic cross valve E4

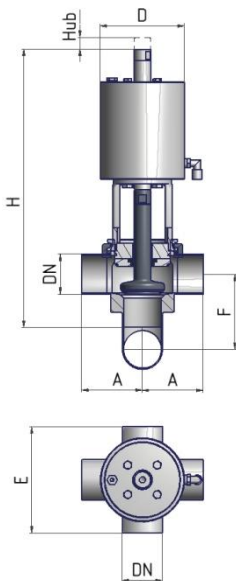
manual – with crank



DN	pipe	A	E	F	R	L	stroke
25	29 x 1,5	50	100	66	73	310	18
40	41 x 1,5	60	120	82	73	330	18
50	53 x 1,5	80	140	99	90	400	22
65	70 x 2	100	160	119	90	415	25
80	85 x 2	125	180	136	90	445	33
100	104 x 2	150	200	156	90	465	35
1"	25,4 x 1,65	50	100	66	73	310	18
1 1/2"	38,1 x 1,65	60	120	82	73	330	18
2"	50,8 x 1,65	80	140	99	90	400	22
2 1/2"	63,5 x 1,65	100	160	119	90	415	25
3"	76,2 x 1,65	125	180	136	90	445	33
4"	101,6 x 2,11	150	200	156	90	465	35

## Hygienic cross valve E31

pneumatic – air to open – spring to close



DN	pipe	A	E	F	D	L	stroke
25	29 x 1,5	50	100	66	90	310	18
40	41 x 1,5	60	120	82	90	325	18
50	53 x 1,5	80	140	99	110	384	22
65	70 x 2	100	160	119	133	445	25
80	85 x 2	125	180	136	160	509	33
100	104 x 2	150	200	156	168	527	35
1"	25,4 x 1,65	50	100	66	90	310	18
1 1/2"	38,1 x 1,65	60	120	82	90	325	18
2"	50,8 x 1,65	80	140	99	110	384	22
2 1/2"	63,5 x 1,65	100	160	119	133	445	25
3"	76,2 x 1,65	125	180	136	160	509	33
4"	101,6 x 2,11	150	200	156	168	527	35





## Hygienic cross valve E4

manual – with crank

### EPDM E4.31

DN	reference number	price
25	40340.1040.01.0004.32	619 €
40	40340.1040.01.0006.32	731 €
50	40340.1040.01.0007.32	808 €
65	40340.1040.01.0008.32	1115 €
80	40340.1040.01.0009.32	1611 €
100	40340.1040.01.0010.32	1841 €
1"	40340.1040.01.0024.32	619 €
1 1/2"	40340.1040.01.0026.32	731 €
2"	40340.1040.01.0027.32	808 €
2 1/2"	40340.1040.01.0028.32	1115 €
3"	40340.1040.01.0029.32	1611 €
4"	40340.1040.01.0030.32	1841 €

## Hygienic cross valve E31

pneumatic – air to open – spring to close

### EPDM E31.31

DN	reference number	price
25	40310.1040.01.0004.32	844 €
40	40310.1040.01.0006.32	966 €
50	40310.1040.01.0007.32	1043 €
65	40310.1040.01.0008.32	1513 €
80	40310.1040.01.0009.32	2066 €
100	40310.1040.01.0010.32	2311 €
1"	40310.1040.01.0024.32	844 €
1 1/2"	40310.1040.01.0026.32	966 €
2"	40310.1040.01.0027.32	1043 €
2 1/2"	40310.1040.01.0028.32	1513 €
3"	40310.1040.01.0029.32	2066 €
4"	40310.1040.01.0030.32	2311 €

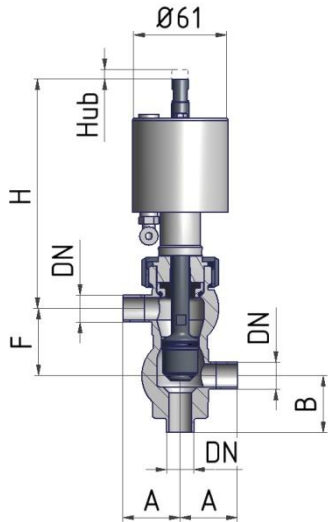


# Hygienic single seat valves

**RIEGER**

## Hygienic change-over valve U31

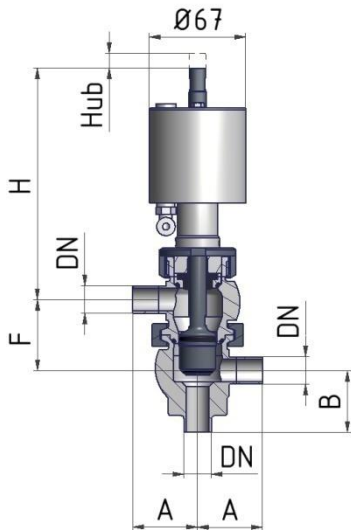
pneumatic – air to open – spring to close – **one-part**



DN	pipe	A	B	H	F	stroke	kg
10	13 x 1,5	40	40	158	42	10	
15	19 x 1,5	40	40	161	47	10	
20	23 x 1,5	45	40	165	45	10	

## Hygienic change-over valve U31

pneumatic – air to open – spring to close – **two-part**



DN	pipe	A	B	H	F	stroke	kg
10	13 x 1,5	40	40	158	42	10	
15	19 x 1,5	40	40	161	47	10	
20	23 x 1,5	45	40	165	45	10	

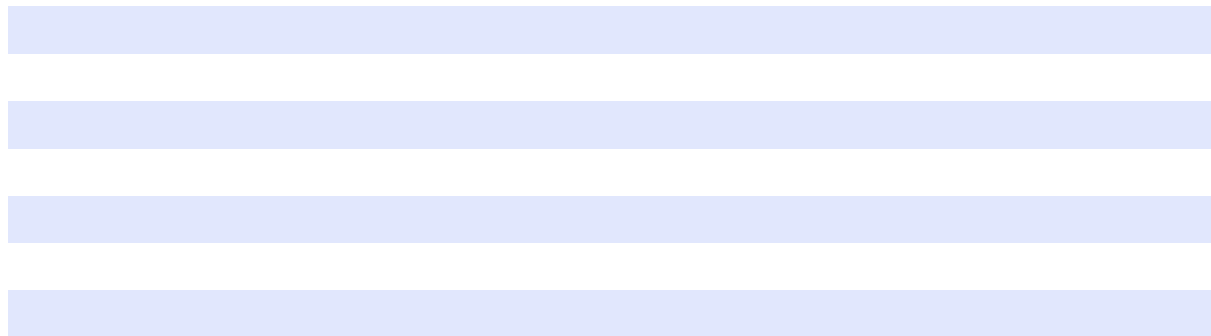


## Hygienic change-over valve U31

pneumatic – air to open – spring to close – **one-part**

### EPDM U31.01

DN	reference number	price
10	40401.1000.01.0001.32	839 €
15	40401.1000.01.0002.32	839 €
20	40401.1000.01.0003.32	839 €

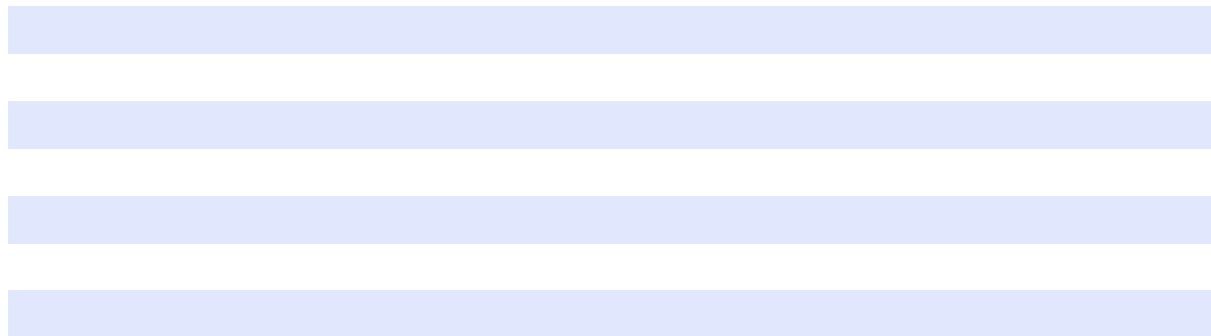


## Hygienic change-over valve U31

pneumatic – air to open – spring to close – **two-part**

### EPDM U31.01

DN	reference number	price
10	40810.1000.01.0001.32	964 €
15	40810.1000.01.0002.32	964 €
20	40810.1000.01.0003.32	964 €



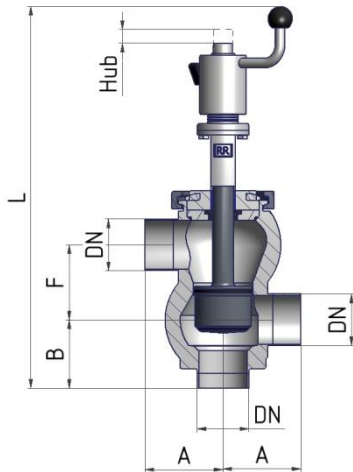


# Hygienic single seat valves

**RIEGER**

## Hygienic change-over valve U4

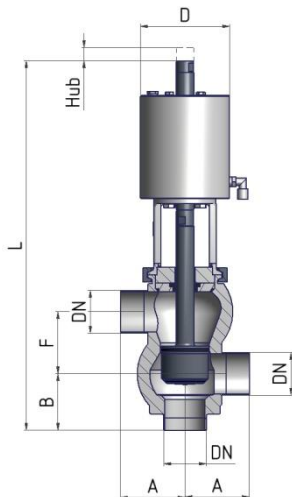
manual – with crank – **3 outlets** – **one-part**



DN	pipe	A	B	F	R	L	stroke
<b>one-part</b>							
25	29 x 1,5	50	50	55	73	360	18
40	41 x 1,5	60	60	65	73	385	18
50	53 x 1,5	80	70	77	90	475	22
65	70 x 2	100	80	95	90	510	25
80	85 x 2	125	90	110	90	555	33
100	104 x 2	150	100	129	90	595	35
1"	25,4 x 1,65	50	50	55	73	360	18
1 1/2"	38,1 x 1,65	60	60	65	73	385	18
2"	50,8 x 1,65	80	70	77	90	475	22
2 1/2"	63,5 x 1,65	100	80	95	90	510	25
3"	76,2 x 1,65	125	90	110	90	555	33
4"	101,6 x 2,11	150	100	129	90	595	35

## Hygienic change-over valve U31

pneumatic – air to open – spring to close – **3 outlet** – **one-part**



DN	pipe	A	B	F	D	L	stroke
<b>one-part</b>							
25	29 x 1,5	50	50	55	90	361	18
40	41 x 1,5	60	60	65	90	387	18
50	53 x 1,5	80	70	77	110	459	22
65	70 x 2	100	80	95	133	539	25
80	85 x 2	125	90	110	160	627	33
100	104 x 2	150	100	129	168	665	35
1"	25,4 x 1,65	50	50	55	90	361	18
1 1/2"	38,1 x 1,65	60	60	65	90	387	18
2"	50,8 x 1,65	80	70	77	110	459	22
2 1/2"	63,5 x 1,65	100	80	95	133	539	25
3"	76,2 x 1,65	125	90	110	160	627	33
4"	101,6 x 2,11	150	100	129	168	665	35



## Hygienic change-over valve U4

manual – with crank - **3 outlets – one-part**

### EPDM U4.01

DN	reference number	price
25	40440.1000.01.0004.32	762 €
40	40440.1000.01.0006.32	1002 €
50	40440.1000.01.0007.32	1104 €
65	40440.1000.01.0008.32	1457 €
80	40440.1000.01.0009.32	1938 €
100	40440.1000.01.0010.32	2695 €
1"	40440.1000.01.0024.32	762 €
1 1/2"	40440.1000.01.0026.32	1002 €
2"	40440.1000.01.0027.32	1104 €
2 1/2"	40440.1000.01.0028.32	1457 €
3"	40440.1000.01.0029.32	1938 €
4"	40440.1000.01.0030.32	2695 €

## Hygienic change-over valve U31

pneumatic – air to open – spring to close – **3 outlets – one-part**

### EPDM U31.01

DN	reference number	price
25	40410.1000.01.0004.32	987 €
40	40410.1000.01.0006.32	1227 €
50	40410.1000.01.0007.32	1329 €
65	40410.1000.01.0008.32	1841 €
80	40410.1000.01.0009.32	2403 €
100	40410.1000.01.0010.32	3758 €
1"	40410.1000.01.0024.32	987 €
1 1/2"	40410.1000.01.0026.32	1227 €
2"	40410.1000.01.0027.32	1329 €
2 1/2"	40410.1000.01.0028.32	1841 €
3"	40410.1000.01.0029.32	2403 €
4"	40410.1000.01.0030.32	3758 €

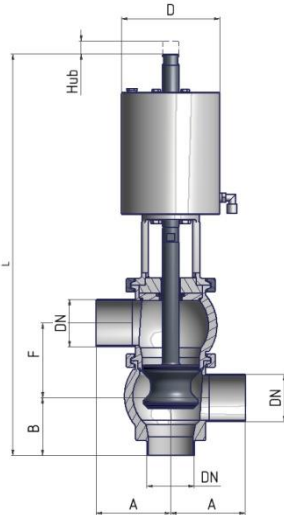


# Hygienic single seat valves

**RIEGER**

## Hygienic change-over valve U31

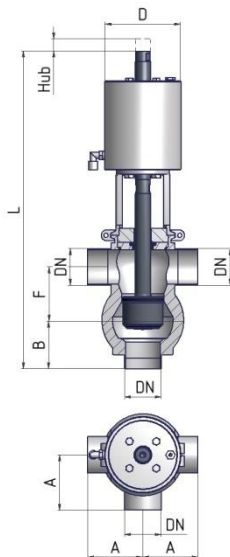
pneumatic – air to open – spring to close – **3 outlets** – **two-part**



DN	pipe	A	B	F	D	L	stroke
<b>two-part</b>							
25	29 x 1,5	50	50	55	90	360	18
40	41 x 1,5	60	60	65	90	385	18
50	53 x 1,5	80	70	77	110	475	22
65	70 x 2	100	80	95	133	510	25
80	85 x 2	125	90	110	160	555	33
100	104 x 2	150	100	129	168	595	35
1"	25,4 x 1,65	50	50	55	90	360	18
1 1/2"	38,1 x 1,65	60	60	65	90	385	18
2"	50,8 x 1,65	80	70	77	110	475	22
2 1/2"	63,5 x 1,65	100	80	95	133	510	25
3"	76,2 x 1,65	125	90	110	160	555	33
4"	101,6 x 2,11	150	100	129	168	595	35

## Hygienic change-over valve U31

pneumatic – air to open – spring to close – **4 outlets** – **one-part**



DN	pipe	A	B	F	D	L	stroke
<b>one-part</b>							
25	29 x 1,5	50	50	55	90	361	18
40	41 x 1,5	60	60	65	90	387	18
50	53 x 1,5	80	70	77	110	459	22
65	70 x 2	100	80	95	133	539	25
80	85 x 2	125	90	110	160	627	33
100	104 x 2	150	100	129	168	665	35
1"	25,4 x 1,65	50	50	55	90	361	18
1 1/2"	38,1 x 1,65	60	60	65	90	387	18
2"	50,8 x 1,65	80	70	77	110	459	22
2 1/2"	63,5 x 1,65	100	80	95	133	539	25
3"	76,2 x 1,65	125	90	110	160	627	33
4"	101,6 x 2,11	150	100	129	168	665	35



## Hygienic change-over valve U31

pneumatic – air to open – spring to close – **3 outlets – two-part**

### EPDM U31.01

DN	reference number	price
25	40810.1000.01.0004.32	1085 €
40	40810.1000.01.0006.32	1347 €
50	40810.1000.01.0007.32	1461 €
65	40810.1000.01.0008.32	2025 €
80	40810.1000.01.0009.32	2643 €
100	40810.1000.01.0010.32	4132 €
1"	40810.1000.01.0024.32	1085 €
1 1/2"	40810.1000.01.0026.32	1347 €
2"	40810.1000.01.0027.32	1461 €
2 1/2"	40810.1000.01.0028.32	2025 €
3"	40810.1000.01.0029.32	2643 €
4"	40810.1000.01.0030.32	4132 €

## Hygienic change-over valve U31

pneumatic – air to open – spring to close – **4 outlets – one-part**

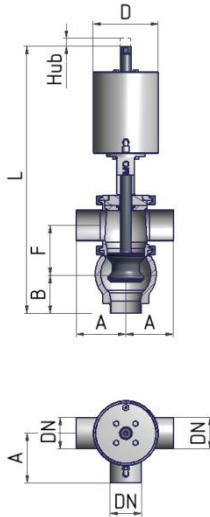
### EPDM U31.01

DN	reference number	price
25	40410.1040.01.0004.32	1033 €
40	40410.1040.01.0006.32	1304 €
50	40410.1040.01.0007.32	1410 €
65	40410.1040.01.0008.32	1918 €
80	40410.1040.01.0009.32	2479 €
100	40410.1040.01.0010.32	3860 €
1"	40410.1000.01.0024.32	1033 €
1 1/2"	40410.1000.01.0026.32	1304 €
2"	40410.1000.01.0027.32	1410 €
2 1/2"	40410.1000.01.0028.32	1918 €
3"	40410.1000.01.0029.32	2479 €
4"	40410.1000.01.0030.32	3860 €



## Hygienic change-over valve U31

pneumatic – air to open – spring to close – **4 outlets** – **two-part**



DN	pipe	A	B	F	D	L	stroke
<b>Two-part</b>							
25	29 x 1,5	50	50	55	90	360	18
40	41 x 1,5	60	60	65	90	385	18
50	53 x 1,5	80	70	77	110	475	22
65	70 x 2	100	80	95	133	510	25
80	85 x 2	125	90	110	160	555	33
100	104 x 2	150	100	129	168	595	35
1"	25,4 x 1,65	50	50	55	90	360	18
1 1/2"	38,1 x 1,65	60	60	65	90	385	18
2"	50,8 x 1,65	80	70	77	110	475	22
2 1/2"	63,5 x 1,65	100	80	95	133	510	25
3"	76,2 x 1,65	125	90	110	160	555	33
4"	101,6 x 2,11	150	100	129	168	595	35





## Hygienic change-over valve U31

pneumatic – air to open – spring to close – **4 outlets** – **two-part**

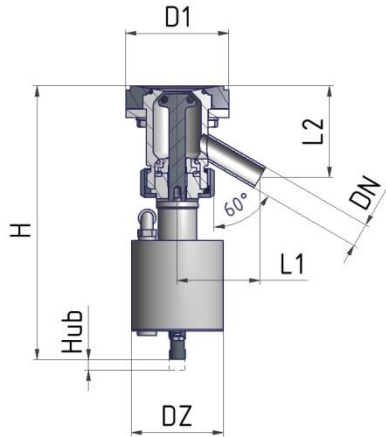
### EPDM U31.01

DN	reference number	price
25	40810.1040.01.0004.32	1131 €
40	40810.1040.01.0006.32	1424 €
50	40810.1040.01.0007.32	1552 €
65	40810.1040.01.0008.32	2102 €
80	40810.1040.01.0009.32	2718 €
100	40810.1040.01.0010.32	4234 €
1"	40810.1040.01.0024.32	1131 €
1 1/2"	40810.1040.01.0026.32	1424 €
2"	40810.1040.01.0027.32	1552 €
2 1/2"	40810.1040.01.0028.32	2102 €
3"	40810.1040.01.0029.32	2718 €
4"	40810.1040.01.0030.32	4234 €



## Hygienic bottom seat valve 30°-outlet - B31

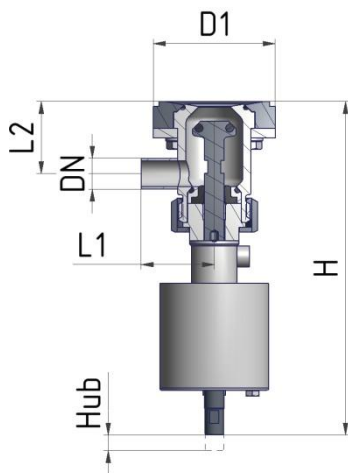
pneumatic – air to open – spring to close



DN	pipe	D1	DZ	H	L1	L2	stroke
10	13 x 1,5	75	64	205	45	61	10
15	19 x 1,5	75	64	205	46	58	10
20	23 x 1,5	75	64	205	48	57	10

## Hygienic bottom seat valve 90°-outlet - B31

pneumatic – air to open – spring to close



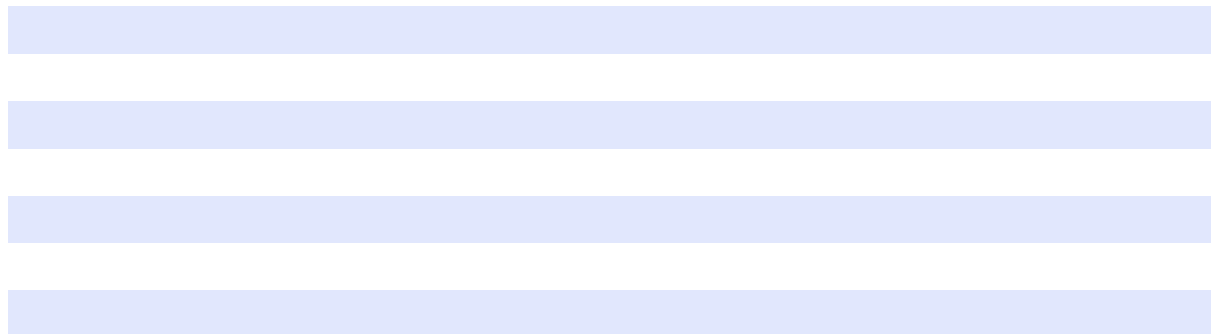
DN	pipe	D1	DZ	H	L1	L2	stroke
10	13 x 1,5	75	64	205	45	48,5	10
15	19 x 1,5	75	64	205	45	45,5	10
20	23 x 1,5	75	64	205	45	43,5	10



## Hygienic bottom seat valve 30°-outlet - B31

pneumatic – air to open – spring to close

EPDM B31.01.001		
DN	reference number	price
10	40701.1000.01.0001.32	767 €
15	40701.1000.01.0002.32	767 €
20	40701.1000.01.0003.32	767 €

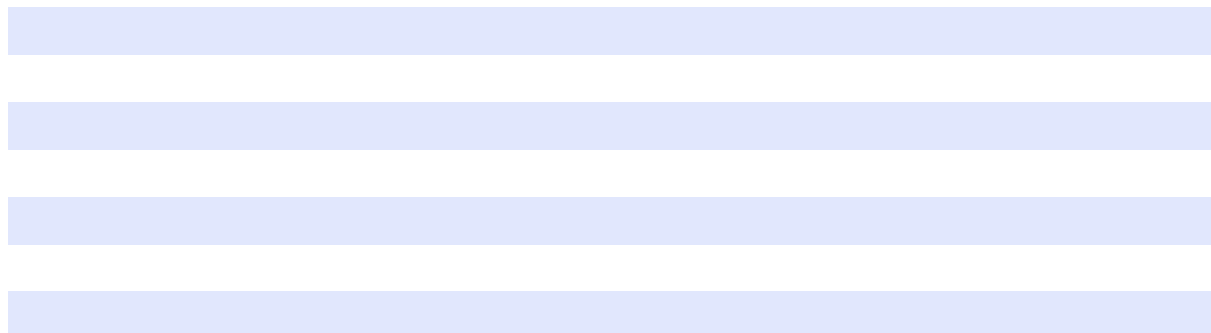


Prices without weld-in flange – rinsing inlet on request against surcharge

## Hygienic bottom seat valve 90°-outlet - B31

pneumatic – air to open – spring to close

EPDM B31.01.150		
DN	reference number	price
10	40701.1010.01.0001.32	767 €
15	40701.1010.01.0002.32	767 €
20	40701.1010.01.0003.32	767 €

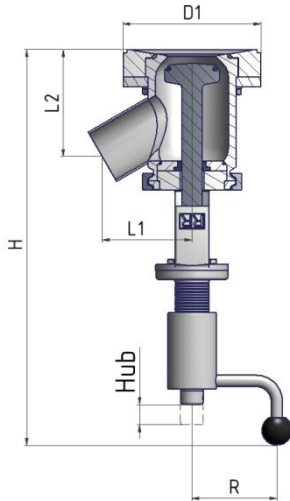


Prices without weld-in flange – rinsing inlet on request against surcharge



## Hygienoc bottom seat valve 30°-outlet - B4

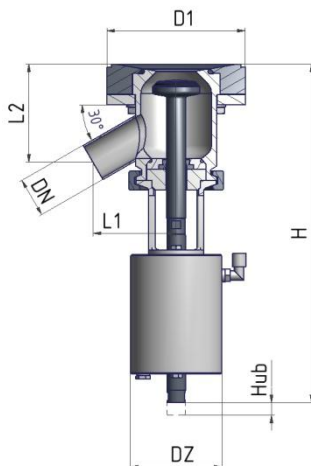
manual - with crank



DN	pipe	D1	H	L1	L2	stroke
25	29 x 1,5	108	320	65	82,5	14
40	41 x 1,5	133	330	80	94	14
50	53 x 1,5	146	420	85	110,5	20
65	70 x 2	173	450	100	132,5	25
80	85 x 2	186	475	115	146	33
100	104 x 2	217	520	150	188	35
1"	25,4 x 1,65	108	320	65	82,5	14
1 1/2"	38,1 x 1,65	133	330	80	94	14
2"	50,8 x 1,65	146	420	85	110,5	20
2 1/2"	63,5 x 1,65	173	450	100	132,5	25
3"	76,2 x 1,65	186	475	115	146	33
4"	101,6 x 2,11	217	520	150	188	35

## Hygienic bottom seat valve 30°-outlet - B31

pneumatic – air to open – spring to close



DN	pipe	D1	DZ	H	L1	L2	stroke
25	29 x 1,5	108	90	315	65	82,5	14
40	41 x 1,5	133	90	330	80	94	14
50	53 x 1,5	146	110	399	85	110,5	20
65	70 x 2	173	133	466	100	132,5	22
80	85 x 2	186	160	529	115	146	30
100	104 x 2	217	168	572	150	188	32
1"	25,4 x 1,65	108	90	315	65	82,5	14
1 1/2"	38,1 x 1,65	133	90	330	80	94	14
2"	50,8 x 1,65	146	110	399	85	110,5	20
2 1/2"	63,5 x 1,65	173	133	466	100	132,5	22
3"	76,2 x 1,65	186	160	529	115	146	30
4"	101,6 x 2,11	217	168	572	150	188	32



## Hygienic bottom seat valve 30°-outlet - B4

manual - with crank

### EPDM B4.01

DN	reference number	price
25	40740.1000.01.0004.32	726 €
40	40740.1000.01.0006.32	854 €
50	40740.1000.01.0007.32	971 €
65	40740.1000.01.0008.32	1278 €
80	40740.1000.01.0009.32	1841 €
100	40740.1000.01.0010.32	2567 €
1"	40740.1000.01.0024.32	726 €
1 1/2"	40740.1000.01.0026.32	854 €
2"	40740.1000.01.0027.32	971 €
2 1/2"	40740.1000.01.0028.32	1278 €
3"	40740.1000.01.0029.32	1841 €
4"	40740.1000.01.0030.32	2567 €

Prices without weld-in flange – rinsing inlet on request against surcharge

## Hygienic bottom seat valve 30°-outlet - B31

pneumatic – air to open – spring to close

### EPDM B31.01

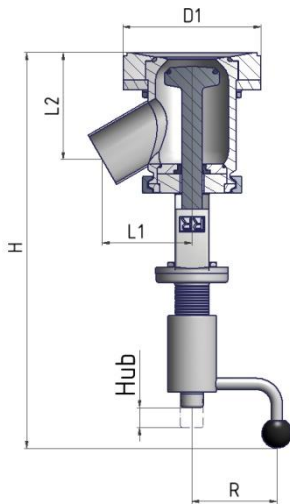
DN	reference number	price
25	40710.1000.01.0004.32	946 €
40	40710.1000.01.0006.32	1074 €
50	40710.1000.01.0007.32	1202 €
65	40710.1000.01.0008.32	1687 €
80	40710.1000.01.0009.32	2301 €
100	40710.1000.01.0010.32	3058 €
1"	40710.1000.01.0024.32	946 €
1 1/2"	40710.1000.01.0026.32	1074 €
2"	40710.1000.01.0027.32	1202 €
2 1/2"	40710.1000.01.0028.32	1687 €
3"	40710.1000.01.0029.32	2301 €
4"	40710.1000.01.0030.32	3058 €

Preise ohne Blockflansch - auf Wunsch mit Spülanschluss gegen Mehrpreis



## Hygienic bottom seat valve 30°-outlet - B4

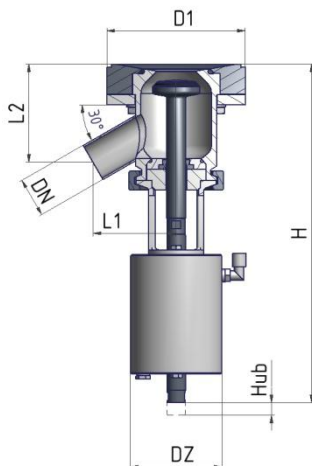
manual - with crank - ISO



DN	pipe	D1	H	L1	L2	stroke
<b>ISO</b>						
20	26,9 x 1,6	108	320	65	86	18
25	33,7 x 2	108	320	65	83	18
40	48,3 x 2	146	420	85	113	22
50	60,3 x 2	146	420	85	106	22
65	76,2 x 2,3	173	450	100	129,5	25
80	88,9 x 2,3	186	475	115	144	33
100	114,3 x 2,6	217	520	150	183	35

## Hygienic bottom seat valve 30°-outlet - B31

pneumatic – air to open – spring to close - ISO



DN	pipe	D1	DZ	H	L1	L2	stroke
<b>ISO</b>							
20	26,9 x 1,6	108	90	306	65	86	18
25	33,7 x 2	108	90	306	65	83	18
40	48,3 x 2	146	110	375	85	113	22
50	60,3 x 2	146	110	375	85	106	22
65	76,2 x 2,3	173	133	445	100	129,5	25
80	88,9 x 2,3	186	160	475	115	144	33
100	114,3 x 2,6	217	168	565	150	183	35



## Hygienic bottom seat valve 30°-outlet - B4

manual - with crank - ISO

### EPDM B4.01

DN	reference number	price
20	40740.1000.01.0043.32	790 €
25	40740.1000.01.0044.32	802 €
40	40740.1000.01.0046.32	986 €
50	40740.1000.01.0047.32	1278 €
65	40740.1000.01.0048.32	1643 €
80	40740.1000.01.0049.32	2422 €
100	40740.1000.01.0050.32	3406 €

Prices without weld-in flange – rinsing inlet on request against surcharge

## Hygienic bottom seat valve 30°-outlet - B31

pneumatic – air to open – spring to close - ISO

### EPDM B31.01

DN	reference number	price
20	40710.1000.01.0043.32	933 €
25	40710.1000.01.0044.32	964 €
40	40710.1000.01.0046.32	1202 €
50	40710.1000.01.0047.32	1493 €
65	40710.1000.01.0048.32	2052 €
80	40710.1000.01.0049.32	2953 €
100	40710.1000.01.0050.32	3896 €

Prices without weld-in flange – rinsing inlet on request against surcharge

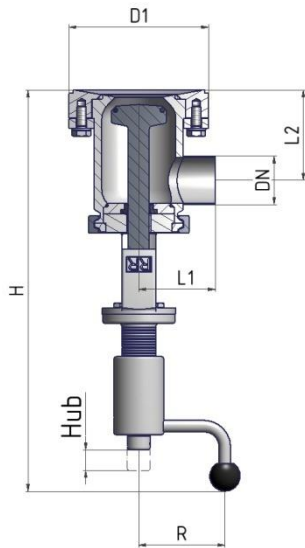


# Hygienic single seat valves

**RIEGER**

## Hygienic bottom seat valve 90°-outlet - B4.01.150

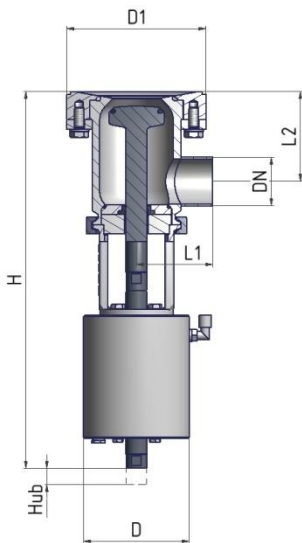
manual - with crank



DN	pipe	D1	H	L1	L2	stroke
25	29 x 1,5	108	320	60	68,5	14
40	41 x 1,5	133	330	70	73,5	14
50	53 x 1,5	146	420	80	94	20
65	70 x 2	173	450	95	112,5	25
80	85 x 2	186	475	105	124	33
100	104 x 2	217	520	120	155	35
1"	25,4 x 1,65	108	320	60	68,5	14
1 1/2"	38,1 x 1,65	133	330	70	73,5	14
2"	50,8 x 1,65	146	420	80	94	20
2 1/2"	63,5 x 1,65	173	450	95	112,5	25
3"	76,2 x 1,65	186	475	105	124	33
4"	101,6 x 2,11	217	520	120	155	35

## Hygienic bottom seat valve 90°-outlet - B31.01.150

pneumatic – air to open – spring to close



DN	pipe	D1	DZ	H	L1	L2	stroke
25	29 x 1,5	108	90	315	60	68,5	14
40	41 x 1,5	133	90	330	70	73,5	14
50	53 x 1,5	146	110	399	80	94	20
65	70 x 2	173	133	466	95	112,5	22
80	85 x 2	186	160	529	105	124	30
100	104 x 2	217	168	572	120	155	32
1"	25,4 x 1,65	108	90	315	60	68,5	14
1 1/2"	38,1 x 1,65	133	90	330	70	73,5	14
2"	50,8 x 1,65	146	110	399	80	94	20
2 1/2"	63,5 x 1,65	173	133	466	95	112,5	22
3"	76,2 x 1,65	186	160	529	105	124	30
4"	101,6 x 2,11	217	168	572	120	155	32





## Hygienic bottom seat valve 90°-outlet - B4

manual - with crank

EPDM B4.01.150		
DN	reference number	price
25	40740.1010.01.0004.32	726 €
40	40740.1010.01.0006.32	854 €
50	40740.1010.01.0007.32	971 €
65	40740.1010.01.0008.32	1278 €
80	40740.1010.01.0009.32	1841 €
100	40740.1010.01.0010.32	2567 €
1"	40740.1010.01.0024.32	726 €
1 1/2"	40740.1010.01.0026.32	854 €
2"	40740.1010.01.0027.32	971 €
2 1/2"	40740.1010.01.0028.32	1278 €
3"	40740.1010.01.0029.32	1841 €
4"	40740.1010.01.0030.32	2567 €

Prices without weld-in flange – rinsing inlet on request against surcharge

## Hygienic bottom seat valve 90°-outlet - B31

pneumatic – air to open – spring to close

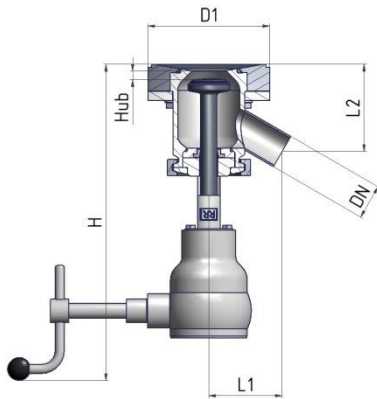
EPDM B31.01.150		
DN	reference number	price
25	40710.1010.01.0004.32	946 €
40	40710.1010.01.0006.32	1074 €
50	40710.1010.01.0007.32	1202 €
65	40710.1010.01.0008.32	1687 €
80	40710.1010.01.0009.32	2301 €
100	40710.1010.01.0010.32	3058 €
1"	40710.1010.01.0024.32	946 €
1 1/2"	40710.1010.01.0026.32	1074 €
2"	40710.1010.01.0027.32	1202 €
2 1/2"	40710.1010.01.0028.32	1687 €
3"	40710.1010.01.0029.32	2301 €
4"	40710.1010.01.0030.32	3058 €

Prices without weld-in flange – rinsing inlet on request against surcharge



## Hygienic bottom seat valve 30°-outlet - B5

manual – with bevel wheel drive unit



DN	pipe	D1	stroke	H	L1	L2
25	29 x 1,5	108	14	335	65	85,5
40	41 x 1,5	133	14	345	80	94
50	53 x 1,5	146	20	395	85	110,5
65	70 x 2	173	22	420	100	132,5
80	85 x 2	186	30	455	115	146
100	104 x 2	217	32	500	150	188
1"	25,4 x 1,65	108	14	335	65	85,5
1 1/2"	38,1 x 1,65	133	14	345	80	94
2"	50,8 x 1,65	146	20	395	85	110,5
2 1/2"	63,5 x 1,65	173	22	420	100	132,5
3"	76,2 x 1,65	186	30	455	115	146
4"	101,6 x 2,11	217	32	500	150	188



## Hygienic bottom seat valve 30°-outlet - B5

manual - with bevel wheel drive unit

EPDM B5.01		
DN	reference number	price
25	40750.1000.01.0004.32	1268 €
40	40750.1000.01.0006.32	1396 €
50	40750.1000.01.0007.32	1513 €
65	40750.1000.01.0008.32	1841 €
80	40750.1000.01.0009.32	2454 €
100	40750.1000.01.0010.32	3272 €
1"	40750.1000.01.0024.32	1268 €
1 1/2"	40750.1000.01.0026.32	1396 €
2"	40750.1000.01.0027.32	1513 €
2 1/2"	40750.1000.01.0028.32	1841 €
3"	40750.1000.01.0029.32	2454 €
4"	40750.1000.01.0030.32	3272 €

Prices without weld-in flange – rinsing inlet on request against surcharge

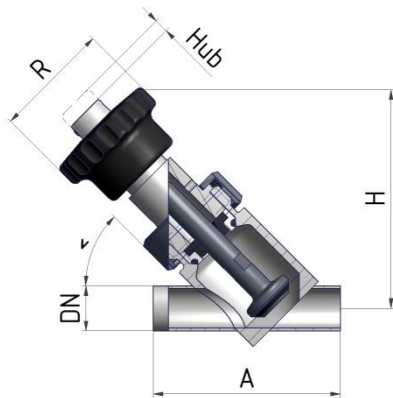


# Hygienic single seat valves

**RIEGER**

## Hygienic inclined seat valve S4.01.001

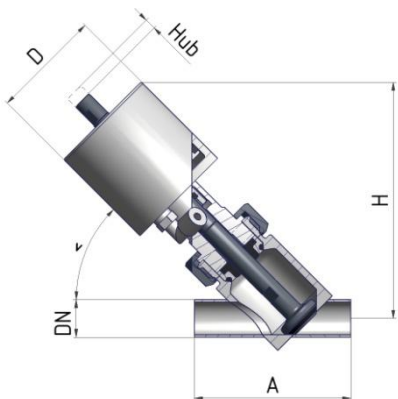
manual - with hand wheel



DN	pipe	A	$\alpha$	R	H	stroke
10	13 x 1,5	135	45°	66	103	10
15	19 x 1,5	135	45°	66	103	10
20	23 x 1,5	95	45°	66	103	10

## Hygienic inclined seat valve S31.01.001

pneumatic – air to open – spring to close



DN	pipe	A	$\alpha$	D	H	L	stroke
10	13 x 1,5	135	45°	64	150	195	10
15	19 x 1,5	135	45°	64	145	195	10
20	23 x 1,5	95	45°	64	145	175	10



## Hygienic inclined seat valve S4.01.001

manual - with hand wheel

DN	reference number	price
10	40504.1000.01.0001.32	588 €
15	40504.1000.01.0002.32	588 €
20	40504.1000.01.0003.32	588 €

## Hygienic inclined seat valve S31.01.001

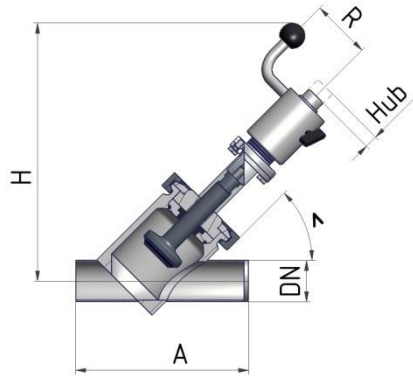
pneumatic – air to open – spring to close

DN	reference number	price
10	40501.1000.01.0001.32	736 €
15	40501.1000.01.0002.32	736 €
20	40501.1000.01.0003.32	736 €



## Hygienic inclined seat valve S4.01.001

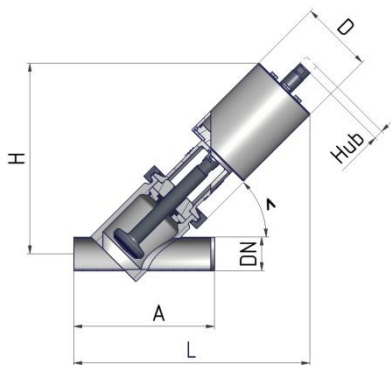
manual - with crank



DN	pipe	A	<	H	stroke
25	29 x 1,5	140	45°	275	18
40	41 x 1,5	170	45°	280	18
50	53 x 1,5	205	45°	355	22
65	70 x 2	250	40°	350	25
80	85 x 2	300	40°	365	33
100	104 x 2	350	40°	390	35
1"	25,4 x 1,65	140	45°	275	18
1 1/2"	38,1 x 1,65	170	45°	280	18
2"	50,8 x 1,65	205	45°	355	22
2 1/2"	63,5 x 1,65	250	40°	350	25
3"	76,2 x 1,65	300	40°	365	33
4"	101,6 x 2,11	350	40°	390	35

## Hygienic inclined seat valve S31.01.001

pneumatic – air to open – spring to close



DN	pipe	A	<	D	H	stroke
25	29 x 1,5	140	45°	90	235	18
40	41 x 1,5	170	45°	90	240	18
50	53 x 1,5	205	45°	110	294	22
65	70 x 2	250	40°	133	325	25
80	85 x 2	300	40°	160	384	33
100	104 x 2	350	40°	168	392	35
1"	25,4 x 1,65	140	45°	90	235	18
1 1/2"	38,1 x 1,65	170	45°	90	240	18
2"	50,8 x 1,65	205	45°	110	294	22
2 1/2"	63,5 x 1,65	250	40°	133	325	25
3"	76,2 x 1,65	300	40°	160	384	33
4"	101,6 x 2,11	350	40°	168	392	35



## Hygienic inclined seat valve S4.01.001

manual - with crank

DN	reference number	price
25	40540.1000.01.0004.32	619 €
40	40540.1000.01.0006.32	706 €
50	40540.1000.01.0007.32	808 €
65	40540.1000.01.0008.32	1145 €
80	40540.1000.01.0009.32	1611 €
100	40540.1000.01.0010.32	2045 €
1"	40540.1000.01.0024.32	619 €
1 1/2"	40540.1000.01.0026.32	706 €
2"	40540.1000.01.0027.32	808 €
2 1/2"	40540.1000.01.0028.32	1145 €
3"	40540.1000.01.0029.32	1611 €
4"	40540.1000.01.0030.32	2045 €

## Hygienic inclined seat valve S31.01.001

pneumatic – air to open – spring to close

DN	reference number	price
25	40510.1000.01.0004.32	839 €
40	40510.1000.01.0006.32	941 €
50	40510.1000.01.0007.32	1053 €
65	40510.1000.01.0008.32	1534 €
80	40510.1000.01.0009.32	2045 €
100	40510.1000.01.0010.32	2505 €
1"	40510.1000.01.0024.32	839 €
1 1/2"	40510.1000.01.0026.32	941 €
2"	40510.1000.01.0027.32	1053 €
2 1/2"	40510.1000.01.0028.32	1534 €
3"	40510.1000.01.0029.32	2045 €
4"	40510.1000.01.0030.32	2505 €