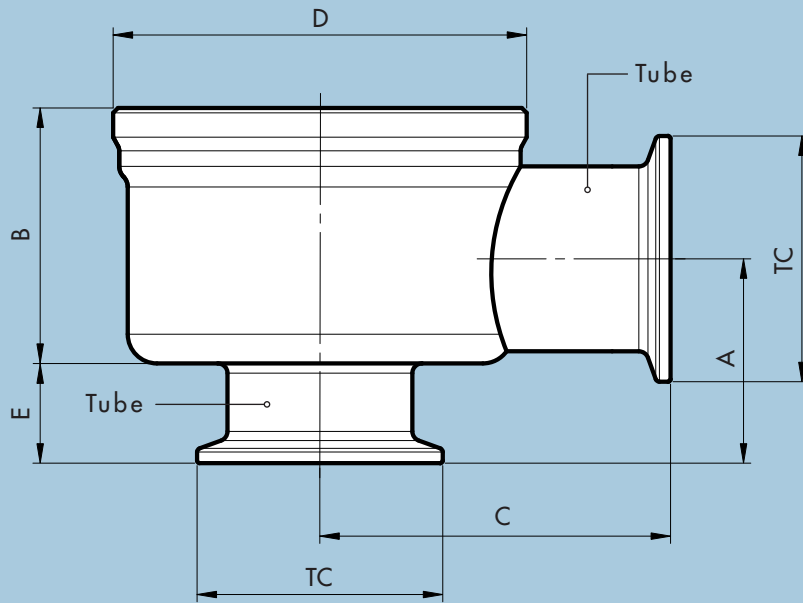


# NovAseptic® Valve Valve Body, Shut off 90° TC

Catalogue Number NA##/31-212 and NU###/31-212

## Valve Body, Shut off 90° TC Configuration



Nominal Dimensions in mm (in.)

A	B	C	D*	E	TC	SMS Tube 3008		US Tube ASTM® A269/270		
						NA##	Tube	NU###	Size	Tube
26.8 (1.055)	22.0 (0.866)	42.0 (1.654)	TR40x2	18.5 (0.728)	25.0 (0.984)	NA12	12.0x1.0	NU050	½"	12.7x1.65 (0.50x0.065)
32.0 (1.260)	29.5 (1.161)	52.0 (2.047)	TR55x2	21.0 (0.827)	25.0 (0.984)	NA18	18.0x1.5	NU075	¾"	19.1x1.65 (0.75x0.065)
37.1 (1.461)	39.5 (1.555)	62.0 (2.441)	TR75x2	22.0 (0.866)	50.5 (1.988)	NA25	25.0x1.2	NU100	1"	25.4x1.65 (1.0x0.065)
41.8 (1.646)	52.5 (2.067)	72.0 (2.835)	TR85x2	20.5 (0.807)	50.5 (1.988)	NA38	38.0x1.2	NU150	1½"	38.1x1.65 (1.5x0.065)
59.8 (2.354)	65.5 (2.579)	95.0 (3.740)	TR109x2	32.0 (1.260)	64.0 (2.520)	NA51	51.0x1.2	NU200	2"	50.8x1.65 (2.0x0.065)
75.9 (2.988)	98.9 (3.894)	110.0 (4.331)	TR146x2	34.0 (1.339)	91.0 (3.583)	NA76	76.2x1.65	NU300	3"	76.2x1.65 (3.0x0.065)

\* Note: Non-standard thread, special thread to fit NovAseptic Actuators.

**Specifications**

**Net Volume (valve cavity, diaphragm applied)**

Valve Body	NA12/ NU050	NA18/ NU075	NA25/ NU100	NA38/ NU150	NA51/ NU200	NA76/ NU300
Volume ml	4	10	30	80	200	470

**Net Weight (approximate)**

Valve Body	NA12/ NU050	NA18/ NU075	NA25/ NU100	NA38/ NU150	NA51/ NU200	NA76/ NU300
Weight kg (lb)	0.1 (0.22)	0.2 (0.44)	0.5 (1.1)	0.8 (1.8)	1.4 (3.09)	4.3 (9.48)

**Material**

	Bar Stainless Steel in Compliance with		Tubing Stainless Steel in Compliance with	
Material Code	316L	EN 1.4404	TP316L	EN 1.4404
Technical Requirements	ASME® SA-479	EN 10272	ASTM® A269/270	EN 10217-7/ EN 10216-5

**Specifications**

Surface Roughness:	Internal surface (manually polished) Ra ≤ 0.5µm (20µin) External surface Ra ≤ 1.6µm (63µin)
Design Temperature, Valve Body:	-80 to 200 °C (-112 to 392 °F)
Design Pressure, Valve Body:	-1 to 10 bar(g) (-14.5 to 145 psi(g))
Note!	The applied diaphragm and actuator may have different design temperature and/or pressure limits. The weakest component in the assembled product determines the maximum design temperature and pressure limits.
Labeling:	Each Valve Body is individually labeled for full traceability and heat No. according to Millipore QA routines.
Packaging:	All open ends on the Valve Body are protected with plastic covers on delivery and packaged in a closed box.
Quality Control:	Millipore Quality Assurance System guarantees the control and traceability at all stages of the manufacturing.
In Compliance With:	The NovAseptic Valve is classified in Europe, under SEP (Sound Engineering Practice) for PED Directive 97/23/EC. NovAseptic Valve is in compliance with ASME® BPE standard.
Options:	For non-standard NovAseptic Valve Body Options, please contact Millipore for further information.

**To Place an Order or Receive Technical Assistance**

For additional information call your nearest Millipore office or visit us at [www.millipore.com](http://www.millipore.com).  
In the U.S. and Canada, call toll-free 1-800-MILLIPORE (1-800-645-5476). In the U.S., Canada and Puerto Rico, fax orders to 1-800-MILLIFX (1-800-645-5439).

**MILLIPORE**

Millipore and NovAseptic are registered trademarks of Millipore Corporation or an affiliated company.

ASME is a registered trademark of the American Society of Mechanical Engineers.

ASTM is a registered trademark of the American Society for Testing and Materials.

Specifications subject to change without notice.

Lit. No. SP1130EN00 Rev. 1, 09/2006. Replaces DS-116

© 2006 Millipore Corporation. All rights reserved.