

Three-Piece

CleanFLOW™ High Purity Forged Ball Valve, Sizes 1/2" ~ 2"

SB7F

CleanFLOW™ SB7F ball valves are forged versions of our popular SB7 and engineered to be a true process piping component to specifically meet the demanding processes found in the pharmaceutical industries. The "Tube-ID" port opening is dimensionally identical to the adjacent tubing to comply with ASME-BPE guidelines. The SB7F features controlled delta ferrite chemistry.

SERIES SB7F DESIGN FEATURES

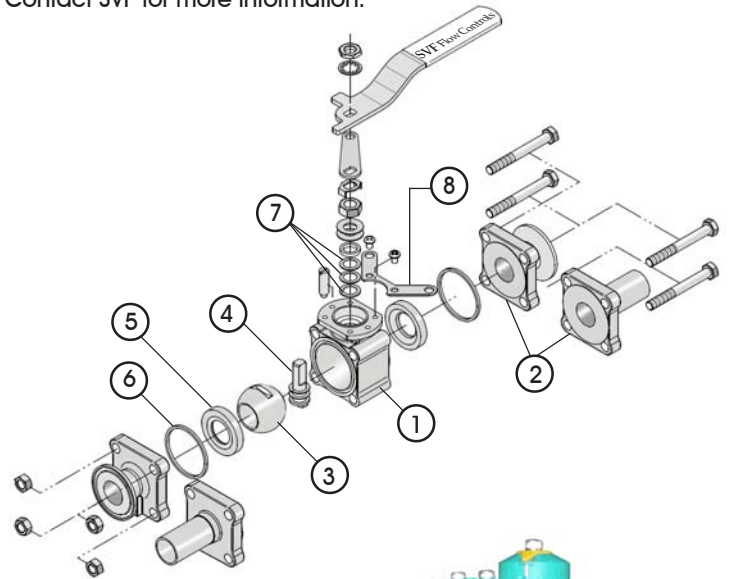
- ✓ ASME-BPE compliant
- ✓ Cavity filled seat option available (SBC7F)
- ✓ Complete 316L Stainless Steel Forged construction
- ✓ Exclusive "Fine Adjust" handle for precise positioning
- ✓ Drainable design with "Tube-ID" dimensions
- ✓ Integral ISO 5211 mounting pad for easy actuation
- ✓ Encapsulated body seals to facilitate welding without disassembly
- ✓ End connections include Tri-Clamp and Extended Tube O.D.
- ✓ Standard TFM1600™ seat material complies with 21 CFR 177.1550
- ✓ Controlled delta ferrite chemistry



The Series SB7F Ball Valve is available with additional options. Contact SVF for more information.

MATERIALS OF CONSTRUCTION

ITEM	DESCRIPTION	MATERIALS SPECIFICATIONS
1	Body	316L Stainless Steel (ASTM A182-F)
2	End Connector	316L Stainless Steel (ASTM A182-F)
3	Ball	316L Stainless Steel (ASTM A182-F)
4	Stem	316L Stainless Steel (ASTM A182-F)
5	Seat	TFM1600™
6	Body Seal	TFM1600™
7	Stem Seal	RTFE
8	Locking Device (Optional)	304 Stainless Steel



SPECIFICATION STANDARDS OF COMPLIANCE

SVF Series SB7F Ball Valves are available in designs that meet the following Industry Standards:

- ANSI
- DIN
- BPE
- ASME
- ISO
- NACE
- API
- MSS
- ASTM

Contact SVF for specific applications

SVF Series SB7F Ball Valve with **aero²** Actuator and Low-Profile Limit Switch



What do you need today?™

HIGH PURITY
CleanFLOW
www.CleanFLOW.net

PRO-SPEC
 PROCESS SPECIFIC
WWW.PRO-SPEC.NET

QUALITY FLOWS
 THROUGH US

Three-Piece

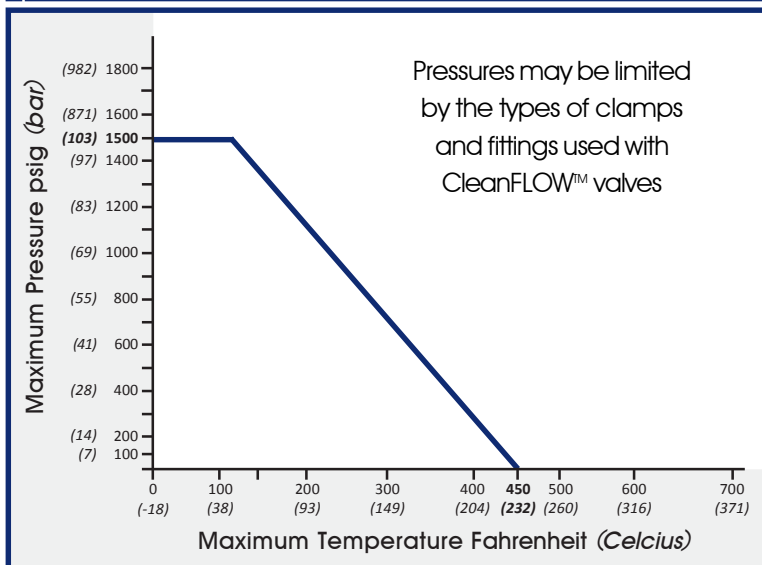
CleanFLOW™ High Purity Forged Ball Valve, Sizes 1/2" ~ 2"

SB7F

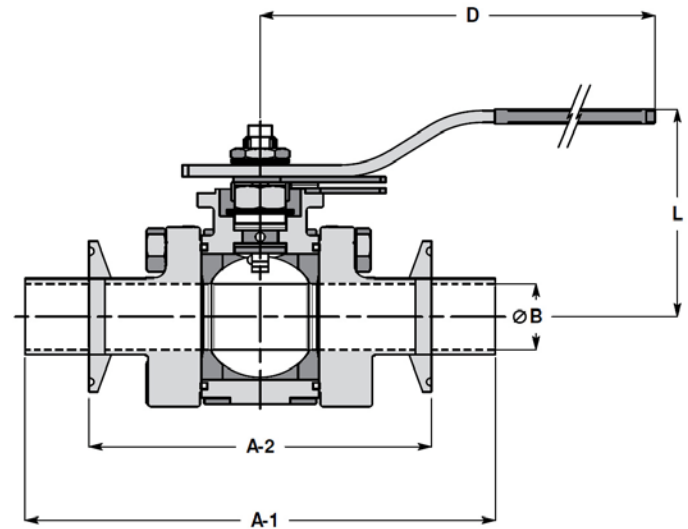
DIMENSIONS, WEIGHT, C_v, TORQUE

Size	A-1		A-2		B		D		L		Weight		C _v	Torque*	
	in.	mm	in.	mm	in.	mm	in.	mm	in.	mm	lbs	kg		in-lb _f	Nm
1/2"	5.50	140	3.50	89	0.37	9	5	114	2.22	56	2	0.9	8	60	7
3/4"	6.00	152	4.00	102	0.62	16	5	114	2.28	58	2	0.9	29	60	7
1"	6.50	165	4.50	114	0.87	22	6	146	2.56	65	4	1.8	66	100	11
1-1/2"	7.50	191	5.50	140	1.37	35	7	178	3.09	78	8	3.6	192	200	23
2"	8.00	203	6.25	159	1.87	47	7	178	3.45	88	13	5.9	434	250	28

SB7F - PRESSURE/TEMPERATURE CHART



* At full differential pressure for clean fluids with TFM1600™ Non-Cavity Filled Seats



HOW TO ORDER SERIES SB7F BALL VALVES

SERIES	BODY & END MATERIAL	BALL & STEM MATERIAL	SEAT	BODY SEAL	ENDS	SIZE
SB7F	66=316L Stainless Steel ASTM A182-F	66=316L Stainless Steel ASTM A182-F	A = TFM1600™	A = TFM1600™	TR = Tri-Clamp ETO = Extended Tube OD Other End Connection Options Available	05= 1/2" 07= 3/4" 10= 1" 15= 1-1/2" 20= 2"
Order Example: (SB7F6666AATR05)						
Example Description: Forged Stainless Steel Body & Ends and Ball & Stem, TFM1600™ Seat, TFM1600™ Body Seal, Tri-Clamp Ends, 1/2" Size						
SB7F	66	66	A	A	TR	05