

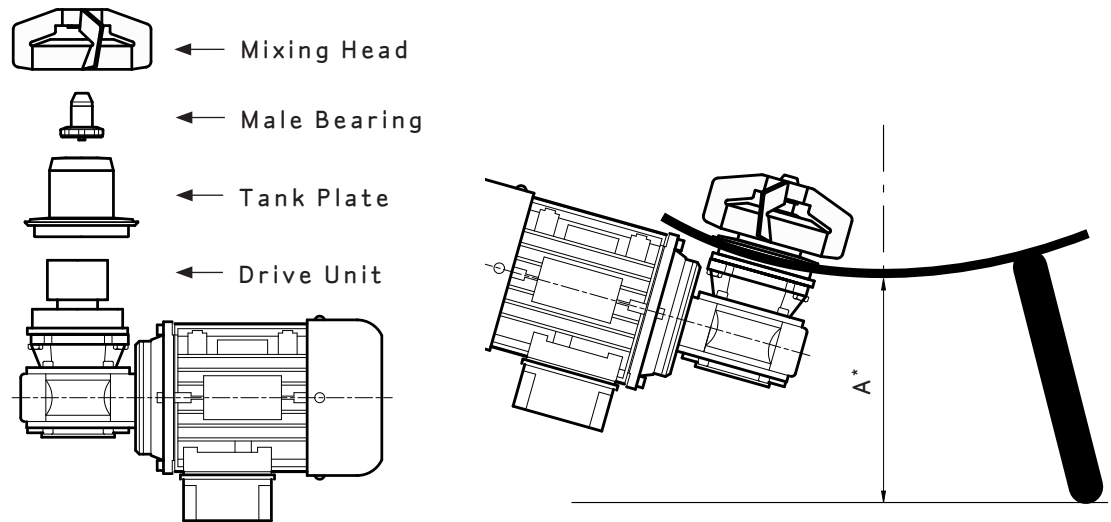
NovAseptic® MIXER, MIXER ASSEMBLY, GMP

PRODUCT DESCRIPTION

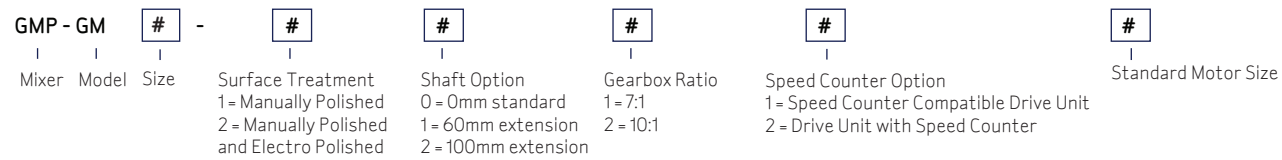
The NovAseptic mixers offer a complete solution for mixing throughout the process line and are designed for a wide variety of mixing applications in the pharmaceutical and biotechnology industries.

Catalogue Numbers:

GMP-GM#-#####



Catalogue Number Structure



Nominal Dimensions in mm (in.)

GMP Mixer Assembly	Mixing Head	Male Bearing	Drive Unit	A*	Mixer Model
GMP-GM05-10110	GM05/12	GM05/24	GM05/4A01-1010	250 (9.84)	GMP50
GMP-GM05-10120	GM05/12	GM05/24	GM05/4B01-1010	250 (9.84)	GMP50
GMP-GM05-11110	GM05/12	GM05/24	GM05/4A11-1010	310 (12.20)	GMP50
GMP-GM05-11120	GM05/12	GM05/24	GM05/4B11-1010	310 (12.20)	GMP50
GMP-GM05-20110	GM05/12EP	GM05/24EP	GM05/4A01-1010	250 (9.84)	GMP50
GMP-GM05-20120	GM05/12EP	GM05/24EP	GM05/4B01-1010	250 (9.84)	GMP50
GMP-GM05-21110	GM05/12EP	GM05/24EP	GM05/4A11-1010	310 (12.20)	GMP50
GMP-GM05-21120	GM05/12EP	GM05/24EP	GM05/4B11-1010	310 (12.20)	GMP50

*Note: Minimum distance to dismount the Drive Unit

Nominal Dimensions in mm (in.)

GMP Mixer Assembly	Mixing Head	Male Bearing	Drive Unit	A*	Mixer Model
GMP-GM1-10110	GM1/12	GM1/24	GM1/4A01-1010	250 (9.84)	GMP100
GMP-GM1-10120	GM1/12	GM1/24	GM1/4B01-1010	250 (9.84)	GMP100
GMP-GM1-11110	GM1/12	GM1/24	GM1/4A11-1010	310 (12.20)	GMP100
GMP-GM1-11120	GM1/12	GM1/24	GM1/4B11-1010	310 (12.20)	GMP100
GMP-GM1-12110	GM1/12	GM1/24	GM1/4A21-1010	350 (13.78)	GMP100
GMP-GM1-12120	GM1/12	GM1/24	GM1/4B21-1010	350 (13.78)	GMP100
GMP-GM1-20110	GM1/12EP	GM1/24EP	GM1/4A01-1010	250 (9.84)	GMP100
GMP-GM1-20120	GM1/12EP	GM1/24EP	GM1/4B01-1010	250 (9.84)	GMP100
GMP-GM1-21110	GM1/12EP	GM1/24EP	GM1/4A11-1010	310 (12.20)	GMP100
GMP-GM1-21120	GM1/12EP	GM1/24EP	GM1/4B11-1010	310 (12.20)	GMP100
GMP-GM1-22110	GM1/12EP	GM1/24EP	GM1/4A21-1010	350 (13.78)	GMP100
GMP-GM1-22120	GM1/12EP	GM1/24EP	GM1/4B21-1010	350 (13.78)	GMP100
GMP-GM5-10110	GM5/120	GM510/24	GM5/4A01-1010	260 (10.24)	GMP500
GMP-GM5-10120	GM5/120	GM510/24	GM5/4B01-1010	260 (10.24)	GMP500
GMP-GM5-11110	GM5/120	GM510/24	GM5/4A11-1010	320 (12.60)	GMP500
GMP-GM5-11120	GM5/120	GM510/24	GM5/4B11-1010	320 (12.60)	GMP500
GMP-GM5-12110	GM5/120	GM510/24	GM5/4A21-1010	360 (14.17)	GMP500
GMP-GM5-12120	GM5/120	GM510/24	GM5/4B21-1010	360 (14.17)	GMP500
GMP-GM5-20110	GM5/120EP	GM510/24EP	GM5/4A01-1010	260 (10.24)	GMP500
GMP-GM5-20120	GM5/120EP	GM510/24EP	GM5/4B01-1010	260 (10.24)	GMP500
GMP-GM5-21110	GM5/120EP	GM510/24EP	GM5/4A11-1010	320 (12.60)	GMP500
GMP-GM5-21120	GM5/120EP	GM510/24EP	GM5/4B11-1010	320 (12.60)	GMP500
GMP-GM5-22110	GM5/120EP	GM510/24EP	GM5/4A21-1010	360 (14.17)	GMP500
GMP-GM5-22120	GM5/120EP	GM510/24EP	GM5/4B21-1010	360 (14.17)	GMP500
GMP-GM10-10110	GM10/120	GM510/24	GM10/4A01-1020	280 (11.02)	GMP1000
GMP-GM10-10120	GM10/120	GM510/24	GM10/4B01-1020	280 (11.02)	GMP1000
GMP-GM10-12110	GM10/120	GM510/24	GM10/4A21-1020	380 (14.96)	GMP1000
GMP-GM10-12120	GM10/120	GM510/24	GM10/4B21-1020	380 (14.96)	GMP1000
GMP-GM10-20110	GM10/120EP	GM510/24EP	GM10/4A01-1020	280 (11.02)	GMP1000
GMP-GM10-20120	GM10/120EP	GM510/24EP	GM10/4B01-1020	280 (11.02)	GMP1000
GMP-GM10-22110	GM10/120EP	GM510/24EP	GM10/4A21-1020	380 (14.96)	GMP1000
GMP-GM10-22120	GM10/120EP	GM510/24EP	GM10/4B21-1020	380 (14.96)	GMP1000

*Note: Minimum distance to dismount the Drive Unit

Nominal Dimensions in mm (in.)

GMP Mixer Assembly	Mixing Head	Male Bearing	Drive Unit	A*	Mixer Model
GMP-GM20-10110	GM20/12	GM20/24	GM20/4A01-1030	320 (12.60)	GMP2000
GMP-GM20-10120	GM20/12	GM20/24	GM20/4B01-1030	320 (12.60)	GMP2000
GMP-GM20-12110	GM20/12	GM20/24	GM20/4A21-1030	420 (16.54)	GMP2000
GMP-GM20-12120	GM20/12	GM20/24	GM20/4B21-1030	420 (16.54)	GMP2000
GMP-GM20-20110	GM20/12EP	GM20/24EP	GM20/4A01-1030	320 (12.60)	GMP2000
GMP-GM20-20120	GM20/12EP	GM20/24EP	GM20/4B01-1030	320 (12.60)	GMP2000
GMP-GM20-22110	GM20/12EP	GM20/24EP	GM20/4A21-1030	420 (16.54)	GMP2000
GMP-GM20-22120	GM20/12EP	GM20/24EP	GM20/4B21-1030	420 (16.54)	GMP2000
GMP-GM50-10110	GM50/12	GM50300/24	GM50/4A01-1040	320 (12.60)	GMP5000
GMP-GM50-10120	GM50/12	GM50300/24	GM50/4B01-1040	320 (12.60)	GMP5000
GMP-GM50-12110	GM50/12	GM50300/24	GM50/4A21-1040	420 (16.54)	GMP5000
GMP-GM50-12120	GM50/12	GM50300/24	GM50/4B21-1040	420 (16.54)	GMP5000
GMP-GM50-20110	GM50/12EP	GM50300/24EP	GM50/4A01-1040	320 (12.60)	GMP5000
GMP-GM50-20120	GM50/12EP	GM50300/24EP	GM50/4B01-1040	320 (12.60)	GMP5000
GMP-GM50-22110	GM50/12EP	GM50300/24EP	GM50/4A21-1040	420 (16.54)	GMP5000
GMP-GM50-22120	GM50/12EP	GM50300/24EP	GM50/4B21-1040	420 (16.54)	GMP5000
GMP-GM100-10110	GM100/12	GM50300/24	GM100/4A01-1050	390 (15.35)	GMP10000
GMP-GM100-10120	GM100/12	GM50300/24	GM100/4B01-1050	390 (15.35)	GMP10000
GMP-GM100-12110	GM100/12	GM50300/24	GM100/4A21-1050	490 (19.30)	GMP10000
GMP-GM100-12120	GM100/12	GM50300/24	GM100/4B21-1050	490 (19.30)	GMP10000
GMP-GM100-20110	GM100/12EP	GM50300/24EP	GM100/4A01-1050	390 (15.35)	GMP10000
GMP-GM100-20120	GM100/12EP	GM50300/24EP	GM100/4B01-1050	390 (15.35)	GMP10000
GMP-GM100-22110	GM100/12EP	GM50300/24EP	GM100/4A21-1050	490 (19.30)	GMP10000
GMP-GM100-22120	GM100/12EP	GM50300/24EP	GM100/4B21-1050	490 (19.30)	GMP10000
GMP-GM200-10210	GM200/12	GM50300/24	GM200/4A01-1060	370 (14.57)	GMP20000
GMP-GM200-10220	GM200/12	GM50300/24	GM200/4B01-1060	370 (14.57)	GMP20000
GMP-GM200-12210	GM200/12	GM50300/24	GM200/4A21-1060	470 (18.50)	GMP20000
GMP-GM200-12220	GM200/12	GM50300/24	GM200/4B21-1060	470 (18.50)	GMP20000
GMP-GM200-20210	GM200/12EP	GM50300/24EP	GM200/4A01-1060	370 (14.57)	GMP20000
GMP-GM200-20220	GM200/12EP	GM50300/24EP	GM200/4B01-1060	370 (14.57)	GMP20000
GMP-GM200-22210	GM200/12EP	GM50300/24EP	GM200/4A21-1060	470 (18.50)	GMP20000
GMP-GM200-22220	GM200/12EP	GM50300/24EP	GM200/4B21-1060	470 (18.50)	GMP20000

*Note: Minimum distance to dismount the Drive Unit

Nominal Dimensions in mm (in.)

<i>GMP Mixer Assembly</i>	<i>Mixing Head</i>	<i>Male Bearing</i>	<i>Drive Unit</i>	<i>A*</i>	<i>Mixer Model</i>
GMP-GM300-10210	GM300/12	GM50300/24	GM300/4A01-1070	395 (15.55)	GMP30000
GMP-GM300-10220	GM300/12	GM50300/24	GM300/4B01-1070	395 (15.55)	GMP30000
GMP-GM300-12210	GM300/12	GM50300/24	GM300/4A21-1070	495 (19.49)	GMP30000
GMP-GM300-12220	GM300/12	GM50300/24	GM300/4B21-1070	495 (19.49)	GMP30000
GMP-GM300-20210	GM300/12EP	GM50300/24EP	GM300/4A01-1070	395 (15.55)	GMP30000
GMP-GM300-20220	GM300/12EP	GM50300/24EP	GM300/4B01-1070	395 (15.55)	GMP30000
GMP-GM300-22210	GM300/12EP	GM50300/24EP	GM300/4A21-1070	495 (19.49)	GMP30000
GMP-GM300-22220	GM300/12EP	GM50300/24EP	GM300/4B21-1070	495 (19.49)	GMP30000

*Note: Minimum distance to dismount the Drive Unit

Specifications

Net Weight (approximate)

<i>Mixer Assembly</i>	GMP50	GMP100	GMP500	GMP1000	GMP2000	GMP5000	GMP10000	GMP20000	GMP30000
Weight kg (lb)	7.0 (15.4)	7.5 (16.5)	8.0 (17.6)	14.0 (30.9)	18.0 (39.7)	22.5 (49.6)	30.5 (67.2)	51.0 (112)	56.0 (124)

Mixer Assembly Parts (included)

	GMP - Catalogue No.	Specification Sheet - Lit. No.
Mixing Head	GM#/12, GM#/12EP, GM#/120 or GM#/120EP	SP1169EN00
Male Bearing	GM#/24 or GM#/24EP	SP1170EN00
Drive Unit	GM#/4#-10#0 or GM#/4#-10#0	SP1004EN00

Mixer Assembly Parts (not included)

	GMP - Catalogue No.	Specification Sheet - Lit. No.
Tank Plate	GM#/33	SP1033EN00
Control Cabinet	G50-# or G51-#	SP1175EN00

Mixer Accessory Parts (not included)

	GMP - Catalogue No.	Specification Sheet - Lit. No.
Mixing Head Attractor	GT#/AW	SP1178EN00
Multi Tool for Mixing Head & Male Bearing	GT#/25	SP1031EN00
Tightening Tool for Male Bearing	GT#/26	SP1032EN00
Welding Tool Tank Plate Heatsink	G94-#	SP1179EN00
NovAseptic Gauge 1, for Tank Plate, Outer Drive Head Control	G91-#	SP1199EN00
NovAseptic Gauge 2, for Tank Plate, Mixing Head Control	G92-#	SP1200EN00
Integrated Speed Counter Kit	GM#/67	SP1144EN00

Specifications

Additional information	
Environment Temperature*:	0 to 40 °C (32 to 104 °F)
Operating Temperature*:	5 to 135 °C (41 to 275 °F)
Operating Speed:	Maximum operating speed is to be validated for each process individually, depending on volume, viscosity etc. A variable frequency drive (VFD) must be used with all NovAseptic mixers.
Specification Sheet:	Further information is available on the Specification Sheet of each NovAseptic Mixer assembly part.
Quality Control:	The Quality Assurance system ensure the quality and traceability at all stages of the process.
Options:	For non-standard NovAseptic Mixer Options, please contact Millipore for information.

**Note: The assembled NovAseptic Mixer may have different design temperature and/or pressure limits. The weakest part in the assembled product determines the allowable design temperature and pressure limits.*



www.millipore.com/offices

Millipore and NovAseptic are registered trademarks of Millipore Corporation and Advancing Life Science Together and M logo are trademarks of Millipore Corporation. Specifications subject to change without notice.
Lit. No. SP1181EN00 Rev. A 06/2008.
© 2008 Millipore Corporation. All rights reserved.

ADVANCING LIFE SCIENCE TOGETHER™
Research. Development. Production.