

A

B

C

D

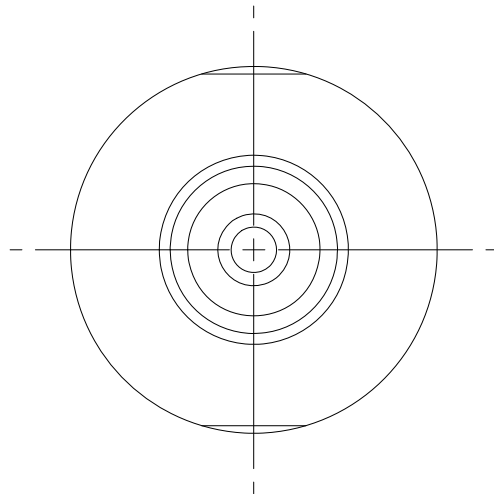
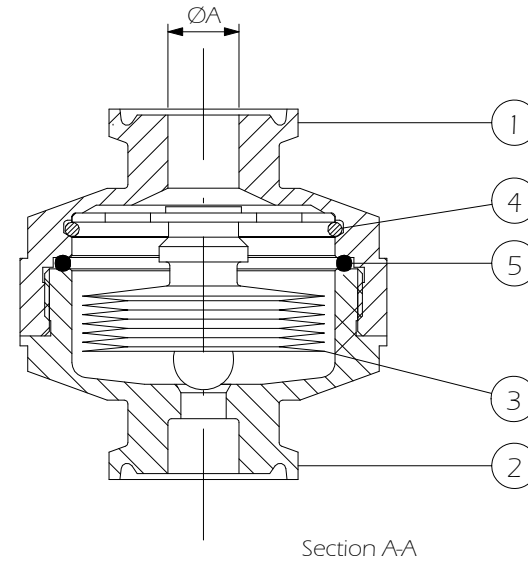
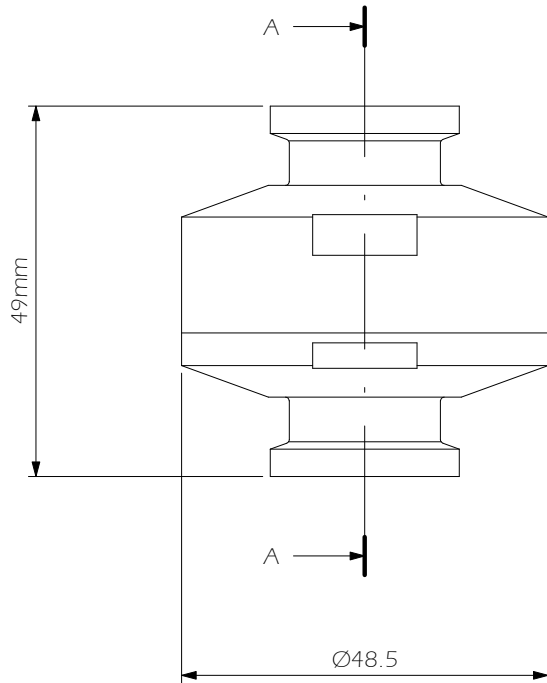
E

1

2

3

4



NOTES:

- 1. See sheet 3 for parts listing.
- 2. 'XX' refers to basic number.

Basic	Size	Standard	ØA
01	1/2"	ASME BPE	12.70
02	3/4"	ASME BPE	19.05
03	DN8	DIN1 1850	10.00
04	DN10	DIN1 1850	12.00
05	DN15	DIN1 1850	18.00
06	DN8	ISO1 127	13.50
07	DN10	ISO1 127	17.20

Issue	Drawn	Approved	Date	Title	
				HST20 with 25mm clamp connection and threaded body joint.	
1	AWF		08/03/06	Staitech	Drawing number 105220XX221XX
					Sheet 2 3