








page


- 2  BioCheck - Technical informations

- 3  BioCheck - Sampling valves

- 10  BioCheck - Inclined seat valves

- 11  Sampling into bottle

- 12  Sampling valve 2000 – Technical informations

- 13  Sampling valve 2000 – Dimension and price

INDEX



Sampling systems

RIEGER

The **BioCheck sampling valves** allow easy and safe sampling from closed systems like vessels and pipings. The most important features are the **aseptic** and the **very compact** design, so that the integration into sterile production lines and into CIP/SIP-circulations runs easily and **without any contamination**.

The valves are **dead space free** and can be cleaned in an easy way. The PTFE-bellows guarantees **hermetic** sealing against environment, which is also sealing to the product side.

Your advantages

Design	Valve body made from solid bar absolutely dead space free completely drainable very small dimensions connections suitable for orbital welding
Absolute product safety	hermetically sealed against environment easily and thoroughly cleanable
Serviceable maintenance	change of seals without special tools less standing times
Efficiency	long life of the PTFE-bellows low spare part costs
Applications	pharmaceutical and biochemical industry, cosmetic industry dairy and food industry brewery, wine and beverage industry



Technical Data

Material	product contact	1.4435/AISI316L
	non product contact	1.4301/AISI304
Seals	PTFE-bellows	PTFE-TFM 1705
		optional with BAM-approval
Temperatures maximum	operating temperature	121 °C
	sterilisation-temperature	135 °C* short-time (ca. 20 min)
Pressures	closing pressure type "hand wheel"	max. 8 bar up to 16 bar
	air pressure	min. 6 bar max. 10 bar
Surfaces	product contact	Ra <= 0,8 µm
	optional non product contact	e-polished Ra <= 1,6 µm
Connections	vessel and piping type Tri-Clamp-connection NEUMO-BioControl-connection	
Types	O = lever with position „open“ S = self-closing lever P = without lever H = manual - with hand wheel	

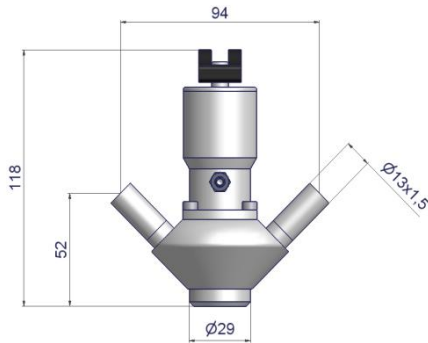
*dependent upon operating conditions



BioCheck with lever

pneumatic – air to open - spring to close – for vessel

PB1.02.001-01

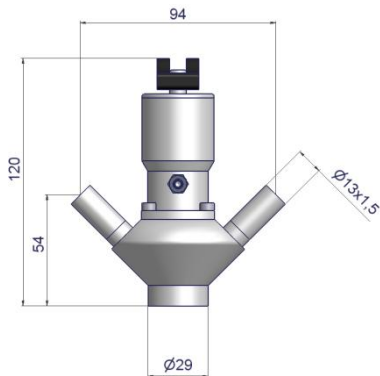


Type	reference number	price
S	70101.2110.01.0001.51	430 €
O	70102.2110.01.0001.51	430 €
P	70103.2110.01.0001.51	430 €

BioCheck with lever

pneumatic – air to open - spring to close – for piping

PB1.02.011-01



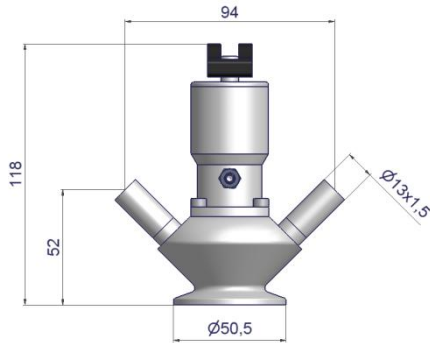
Type	reference number	price
S	70201.2110.01.0001.51	430 €
O	70201.2110.01.0001.51	430 €
P	70201.2110.01.0001.51	430 €



BioCheck with lever

pneumatic – air to open - spring to close – **with Tri-Clamp DIN 32676**

PB1.02.021-01

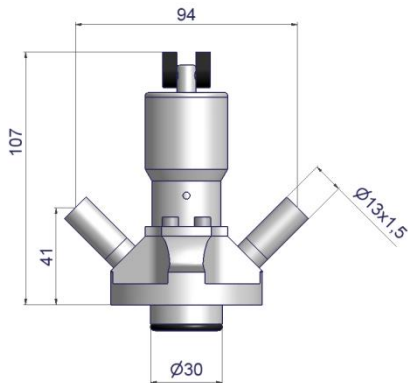


Type	reference number	price
S	70301.2110.01.0001.51	465 €
O	70302.2110.01.0001.51	465 €
P	70303.2110.01.0001.51	465 €

BioCheck with lever

pneumatic – air to open - spring to close – **with BioControl-connection DN 25**

PB1.02.031-01

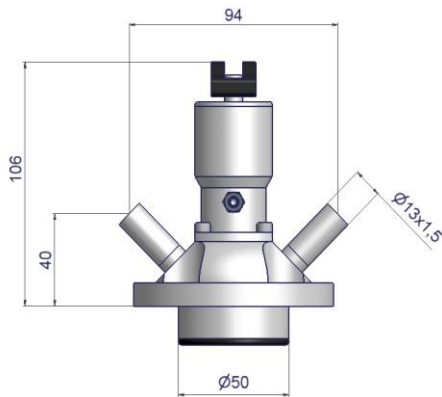


Type	reference number	price
S	70401.2110.01.0401.51	485 €
O	70402.2110.01.0401.51	485 €
P	70403.2110.01.0401.51	485 €



BioCheck with lever

pneumatic – air to open - spring to close – **with BioControl-connection DN 50**

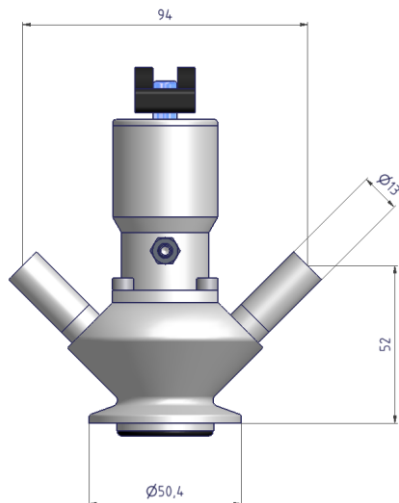


PB1.02.041-01

Type	reference number	price
S	70401.2110.01.0701.51	518 €
O	70402.2110.01.0701.51	518 €
P	70403.2110.01.0701.51	518 €

BioCheck with lever

pneumatic – air to open - spring to close – **with BioConnect-connection**



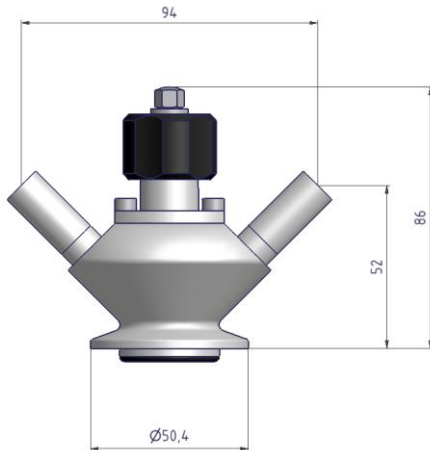
PB1.02.061-01

Type	reference number	price
S	70601.2110.01.0001.51	465 €
O	70601.2110.01.0001.51	465 €
P	70601.2110.01.0001.51	465 €



BioCheck with hand wheel

mit BioConnect-connection

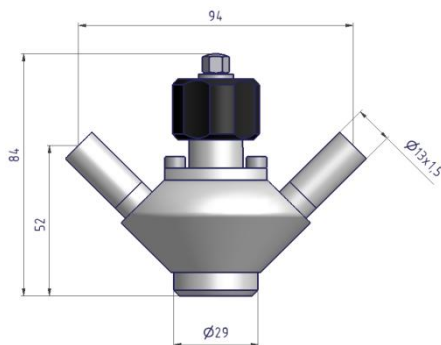


PB4.02.061-01

Type	reference number	price
H	70604.2110.01.0001.51	365 €

BioCheck with hand wheel

for vessel



PB4.02.001-01

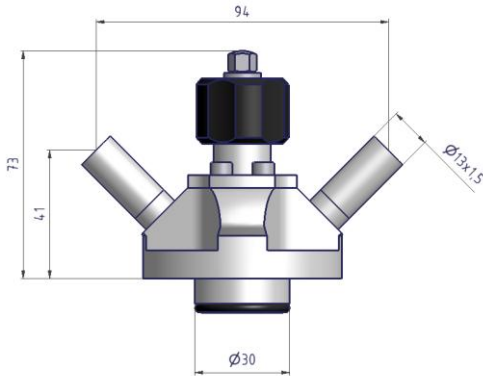
Type	reference number	price
H	70104.2110.01.0001.51	330 €



BioCheck with hand wheel

with BioControl-connection DN 25

PB4.02.031-01

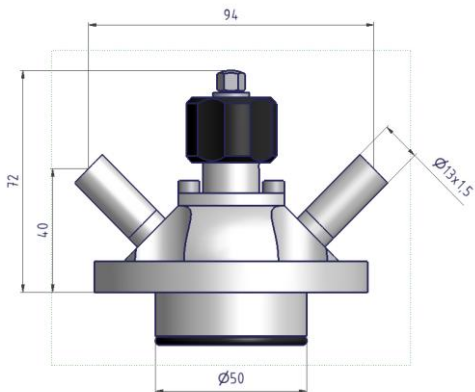


Type	reference number	price
H	70404.2110.01.0401.51	385 €

BioCheck with hand wheel

with BioControl-connection DN 50

PB4.02.041-01



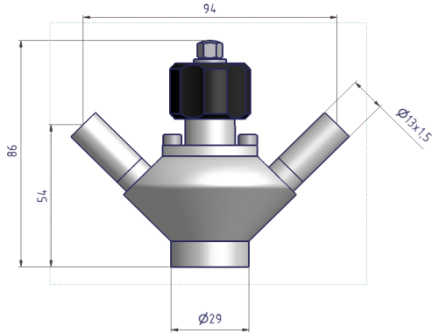
Type	reference number	price
H	70404.2110.01.0701.51	418 €



BioCheck with hand wheel

for piping

PB4.02.011-01

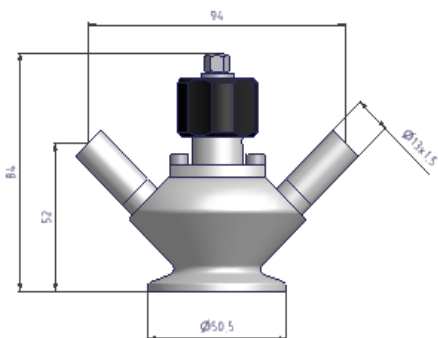


Type	reference number	price
H	70204.2110.01.0001.51	330 €

BioCheck with hand wheel

with Tri-Clamp-connection DIN 32676

PB4.02.021-01

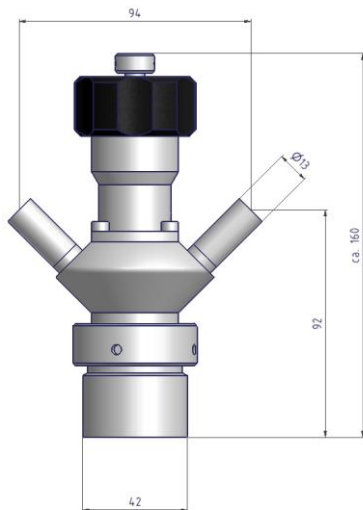


Type	reference number	price
H	70304.2110.01.0001.51	365 €



BioCheck with hand wheel

for Ingold nozzle

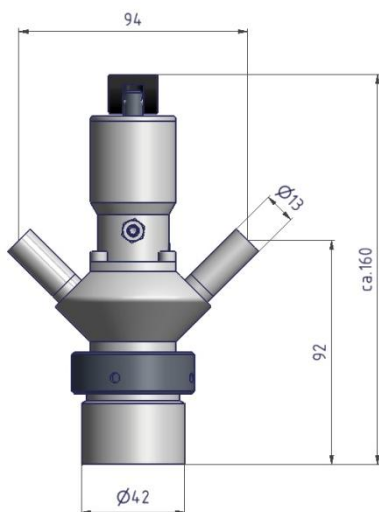


PB6.02.001-01
for Ingold nozzle of 40 mm length

Type	reference number	price
	without Ingold nozzle	
H	70704.2110.01.0501.51	609 €
	with Ingold nozzle	
H	70704.2115.01.0501.51	696 €

BioCheck with lever

pneumatic – air to open - spring to close – for Ingold nozzle



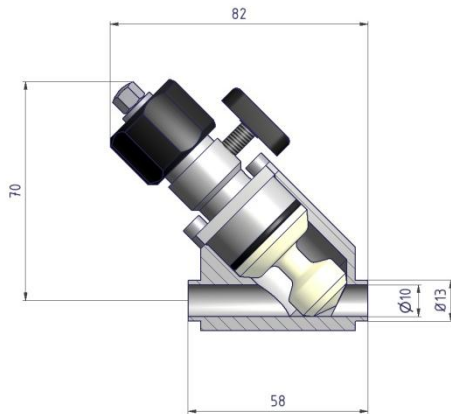
PB7.02.091-01
for Ingold nozzle of 40 mm length

Type	reference number	price
	without Ingold nozzle	
S	70701.2110.01.0501.51	584 €
O	70702.2110.01.0501.51	584 €
P	70703.2110.01.0501.51	584 €
	with Ingold nozzle	
S	70701.2115.01.0501.51	671 €
O	70702.2115.01.0501.51	671 €
P	70703.2115.01.0501.51	671 €



BioCheck inclined seat valve S44

manual – with hand wheel

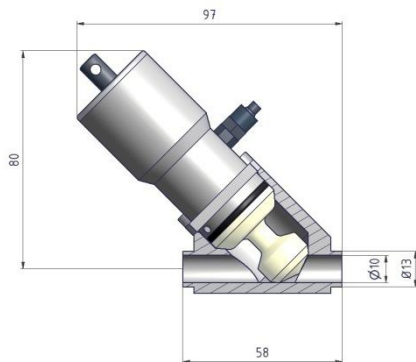


Type	reference number	price
H	70904.2110.01.0001.32	558 €

stainless steel in contact with product: 316L

BioCheck inclined seat valve S41

pneumatic – air to open - spring to close



Type	reference number	price
P	70901.2110.01.0001.32	658 €

stainless steel in contact with product: 316L



Sampling into bottle

manually operated



reference number	price
PB5.02.001-01	1994 €

sterile sampling with bottle

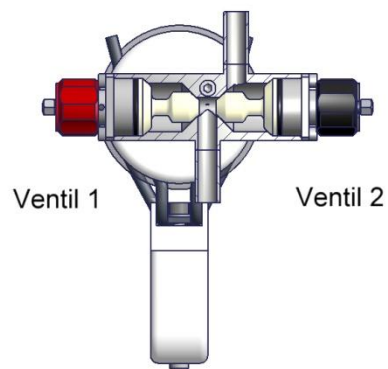
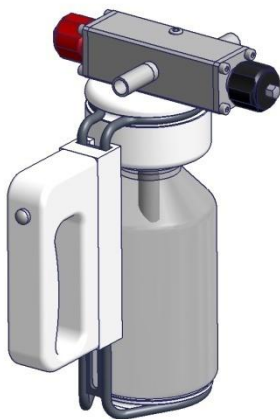
for all usual laboratory bottles connection
 threading GL45 ISO
 for quantities up to 500 ml
 no air contact
 absolute aseptic system
 with handle for hot samples

Sampling into the bottle

- close valve 2
- open **valve 1**
- = sampling flows into the bottle

Sampling into piping or cleaning

- close **valve 1**
- open valve 2
- = product flows into other piping





Sampling systems

RIEGER

Based on the requirements of our customers for easy sampling without problems, we developed the **Sampling valve 2000**. Here the NEUMO-BioConnect-connection proved to be particularly suitable. It makes possible the sampling without contamination and thus meets customers' expectations regarding rational and hygienically faultless application of a valve. The sampling valve 2000 is an additional solution for your sampling.

Your advantages

Design	valve body made from solid bar dead space free
Absolute product safety	hermetically sealed against environment thoroughly cleanable
Serviceable maintenance	change of seals without special tools less standing times
Efficiency	long life of the PTFE-bellows low spare part costs
Applications	pharmaceutical and biochemical industry, cosmetic industry, dairies and food industry, breweries, wine and beverage industry

Technical Data

Material	product contact	1.4404/AISI316L
	non product contact	1.4301/AISI304
Seals	PTFE-bellows	PTFE-TFM 1705
Temperatures maximum	operating temperature	120 °C
	sterilisation temperature	135 °C*
	temperature	short-time (ca. 20 min)
Operating pressure	closing pressure	max. 6 bar
	pressure	min. 6 bar
	control air pressure	max. 10 bar
	pressure	
Surfaces	product contact	Ra ≤ 0,8 µm
	optional	e-polished
	non product contact	
	contact	Ra ≤ 1,6 µm
Connection	NEUMO-BioConnect-connection	

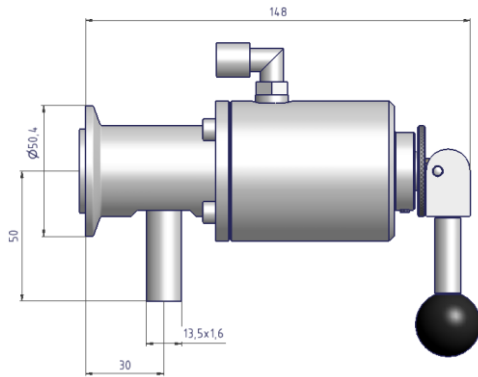


*dependent upon operating conditions



Sampling valve 2000

pneumatic – air to open - spring to close – **with BioConnect-connection**



PN7

reference number	price
PN7-01-3 with 1 outlet	413 €