



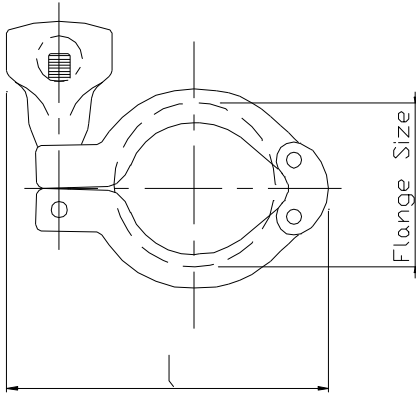
Tri-Clamp Clamps

Contents

Light 2-part Clamp	4.2.2
Heavy 2-part Clamp.	4.2.3
Heavy 2-part Clamp SS 316	4.2.4
Heavy 3-part Clamp	4.2.5
High Pressure Clamp	4.2.6
Plastic 2-part Clamp	4.2.7



4.2.2 Tri-Clamp 2-part Clamp Light



The Heleon group has a complete programme of clamps for the Tri-Clamp connections. These light two part clamps are made of deformed sheet material and hinged with a double pin construction, which makes this clamp easy to use. This light weight clamp is more tolerant on the flange thickness and is intended for lower line pressures.

Standards:

- Tri-Clover® compliant

Figure Numbers:

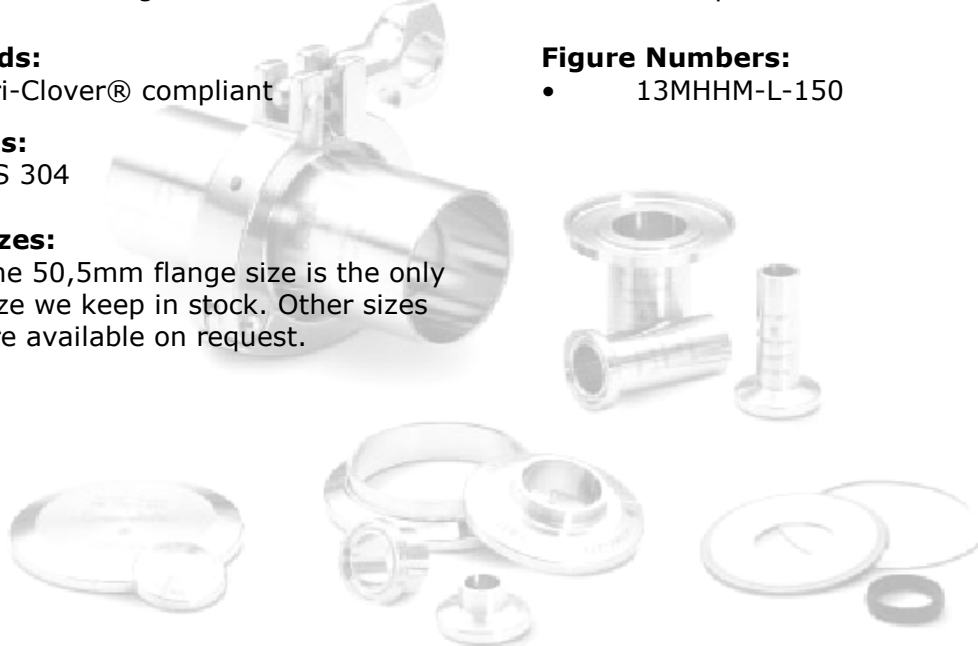
- 13MHMM-L-150

Materials:

- SS 304

Stock sizes:

- The 50,5mm flange size is the only size we keep in stock. Other sizes are available on request.



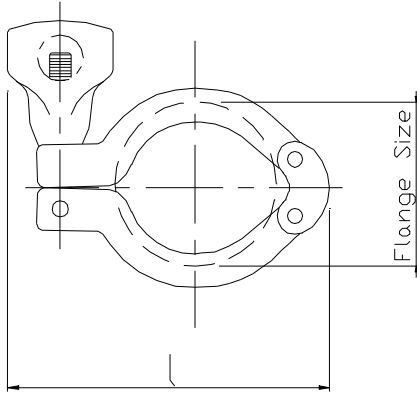
Standard DIN 2-part Clamp Light		
Size DN	L	Flange Size
DN 25	87,0	50,5
DN 32	87,0	50,5
DN 40	87,0	50,5

Standard ISO 2-part Clamp Light		
Size DN	L	Flange Size
DN 15	87,0	50,5
DN 20	87,0	50,5
DN 25	87,0	50,5

Standard US OD 2-part Clamp Light		
Size Inch	L	Flange Size
1"	87,0	50,5
1 1/2"	87,0	50,5

4.2.3

Tri-Clamp 2-part Clamp Heavy



The Heleon group has a complete programme of clamps for the Tri-Clamp connections. These heavy two part clamps are made of solid Stainless Steel with a smooth surface finish. Through the sound double pin construction, the clamp is suitable for every purpose. These clamps match perfectly with many US OD, ISO and DIN Tri-Clamp sizes. The clamp is standard supplied with a solid wing nut and packed properly.

Standards:

- Tri-Clover® compliant
- 3A Sanitary standard

Materials:

- SS 304
- SS 316

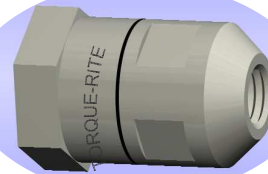
Torque-Rite®:

- The Heleon Tri-Clamp clamps can be furnished with Torque-Rite® models. The Torque-Rite® system is developed for critical applications where over- and under-tightening can be a problem. The Torque-Rite® system controls the compression on the gasket, using a torque-limit mechanism. And it maintains a constant pressure force. The Torque-Rite® is made out of Stainless Steel and it has a built-in manual override feature. Two models are available:
 - **Model TR-30** (for EPDM, Viton, Silicone gaskets)
 - **Model TR-50** (for PTFE, Tef-Steel®, PTFE Envelope gaskets)

Figure Numbers:

- 13MHHS (25mm) or K750
- 13MHHM or K750

User Friendly



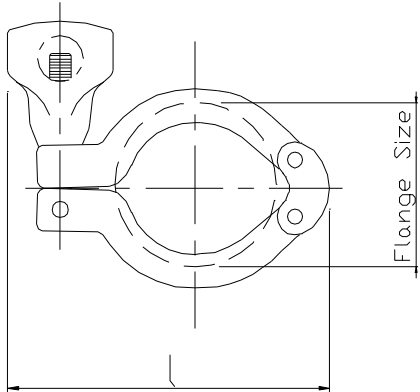
Fits on all
clamps 1/2" – 6"

Standard DIN 2-part Clamp Heavy		
Size DN	I	Flange Size
DN 25	87,0	50,5
DN 32	87,0	50,5
DN 40	87,0	50,5
DN 50	107,0	64,0
DN 65	140,0	91,0
DN 100	168,0	119,0

Standard ISO 2-part Clamp Heavy		
Size DN	L	Flange Size
DN 8	42,0	25,0
DN 10	42,0	25,0
DN 15	87,0	50,5
DN 20	87,0	50,5
DN 25	87,0	50,5
DN 32	107,0	64,0
DN 40	107,0	64,0
DN 50	123,0	77,5
DN 65	140,0	91,0

Standard US OD 2-part Clamp Heavy		
Size Inch	I	Flange Size
1/2"	42,0	25,0
3/4"	42,0	25,0
1"	87,0	50,5
1 1/2"	87,0	50,5
2"	107,0	64,0
2 1/2"	123,0	77,5
3"	140,0	91,0
4"	168,0	119,0
6"	212,0	167,0
8"	260,0	217,5
10"	358,0	268,5
12"	435,0	319,0

4.2.4 Tri-Clamp 2-part Clamp SS 316



The Heleon group has a complete programme of clamps for the Tri-Clamp connections. These heavy two part clamps are made of solid **316 Stainless Steel** with a smooth surface finish. In some application were rigorous detergents are used the SS 304 clamps corrode. And that is why we also stock these SS 316 clamps for your most critical applications. These clamps also have the CE mark acc. to the PED. Through the sound double pin construction, the clamp is suitable for every purpose. These clamps match perfectly with all the US OD, ISO and DIN Tri-Clamp sizes. The clamp is standard supplied with a rigid wing nut and packed properly.

Standards:

- Tri-Clover® compliant
- 3A Sanitary standard

Figure Numbers:

- 13MHHS-316 (25mm)
- 13MHHM-316

Materials:

- SS 316 (wstnr. 1.4404)

CE marked:

- These clamps are CE marked acc. to the PED

Standard DIN 2-part Clamp SS316		
Size DN	L	Flange Size
DN 10	68,0	34,0
DN 15	68,0	34,0
DN 20	68,0	34,0
DN 25	87,0	50,5
DN 32	87,0	50,5
DN 40	87,0	50,5
DN 50	107,0	64,0
DN 65	140,0	91,0
DN 80	155,0	106,0
DN 100	168,0	119,0
DN 125	228,0	155,0
DN 150	256,0	183,0
DN 200	305,0	233,5

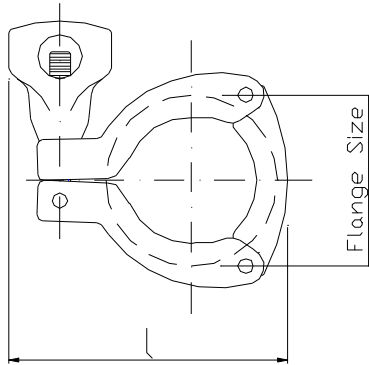
Standard ISO 2-part Clamp SS316		
Size DN	L	Flange Size
DN 8	42,0	25,0
DN 10	42,0	25,0
DN 15	87,0	50,5
DN 20	87,0	50,5
DN 25	87,0	50,5
DN 32	107,0	64,0
DN 40	107,0	64,0
DN 50	123,0	77,5
DN 65	140,0	91,0
DN 80	155,0	106,0
DN 100	195,0	144,4
DN 125	228,0	155,0
DN 150	256,0	183,0
DN 200	305,0	233,5
DN 250 *	379,0	287,0
DN 300 *	455,0	338,0

Standard US OD 2-part Clamp SS316		
Size Inch	L	Flange Size
1/2"	42,0	25,0
3/4"	42,0	25,0
1"	87,0	50,5
1 1/2"	87,0	50,5
2"	107,0	64,0
2 1/2"	123,0	77,5
3"	140,0	91,0
4"	168,0	119,0
6"	212,0	167,0
8"	260,0	217,5
10" *	358,0	268,5
12" *	435,0	319,0

* Double Wingnut, no hinge

* Double Wingnut, no hinge

4.2.5 Tri-Clamp 3-part Clamp Heavy



The Heleon group has a complete programme of clamps for the Tri-Clamp connections. These heavy duty three-part clamps are made of solid Stainless Steel with a smooth surface finish. Through the unique construction, the clamp has no hinge plates, this clamp serves excellent for the heavier purposes. And also better alignment can be reached. These clamps match perfectly with many US OD, ISO and DIN Tri-Clamp sizes. The clamp is standard supplied with a solid wing nut and packed properly.

Standards:

- Tri-Clover® compliant
- 3A Sanitary standard

Figure Numbers:

- 13MPS or K752

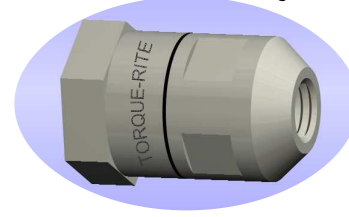
Materials:

- SS 304

Torque-Rite®:

- The Heleon Tri-Clamp clamps can be furnished with Torque-Rite® models. The Torque-Rite® system is developed for critical applications where over- and under-tightening can be a problem. The Torque-Rite® system controls the compression on the gasket, using a torque-limit mechanism. And it maintains a constant pressure force. The Torque-Rite® is made out of Stainless Steel and it has a built-in manual override feature. Two models are available:
 - **Model TR-30** (for EPDM, Viton, Silicone gaskets)
 - **Model TR-50** (for PTFE, Tef-Steel®, PTFE Envelope gaskets)

User Friendly



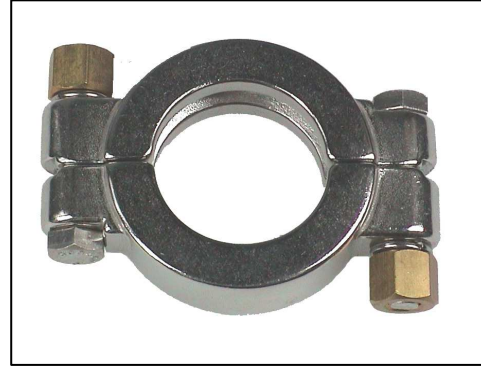
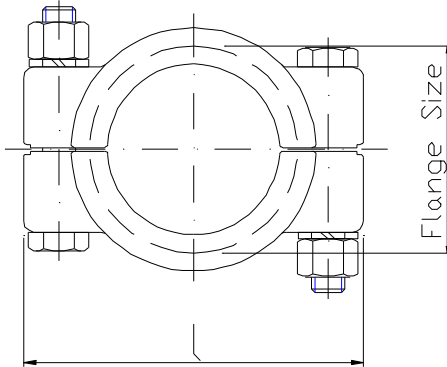
Fits on all clamps 1/2" – 4"

Standard DIN 3-part Clamp		
Size DN	I	Flange Size
DN 25	81,0	50,5
DN 32	81,0	50,5
DN 40	81,0	50,5
DN 50	95,0	64,0
DN 65	127,0	91,0
DN 100	155,0	119,0

Standard ISO 3-part Clamp		
Size DN	I	Flange Size
DN 15	81,0	50,5
DN 20	81,0	50,5
DN 25	81,0	50,5
DN 32	95,0	64,0
DN 40	95,0	64,0
DN 50	110,0	77,5
DN 65	127,0	91,0

Standard US OD 3-part Clamp		
Size Inch	I	Flange Size
1"	81,0	50,5
1 1/2"	81,0	50,5
2"	95,0	64,0
2 1/2"	110,0	77,5
3"	127,0	91,0
4"	155,0	119,0

4.2.6 Tri-Clamp 2-part Clamp High Pressure



The Heleon group has a complete programme of clamps for the Tri-Clamp connections. These High Pressure (HP) clamps are made of solid Stainless Steel with a smooth surface finish.

The brass hexagonal nuts prevent the thread from wearing. Through the sound double bolt configuration, the clamping force can be very high. And this clamp is superior in high pressure applications where failing clamps are critical.

These clamps match perfectly with many US OD, ISO and DIN Tri-Clamp sizes.

The clamp is always supplied with fasteners and packed properly.

Standards:

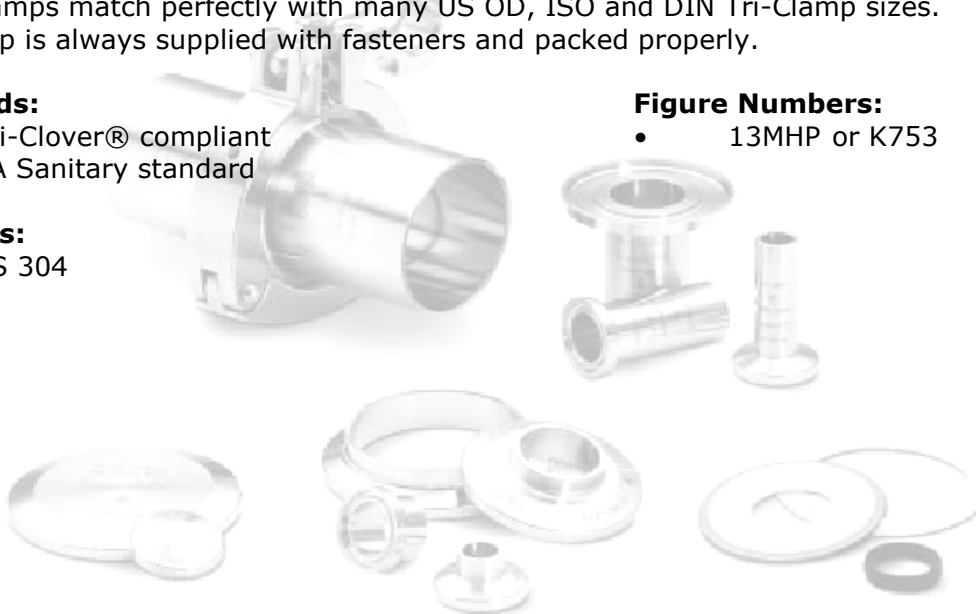
- Tri-Clover® compliant
- 3A Sanitary standard

Figure Numbers:

- 13MHP or K753

Materials:

- SS 304

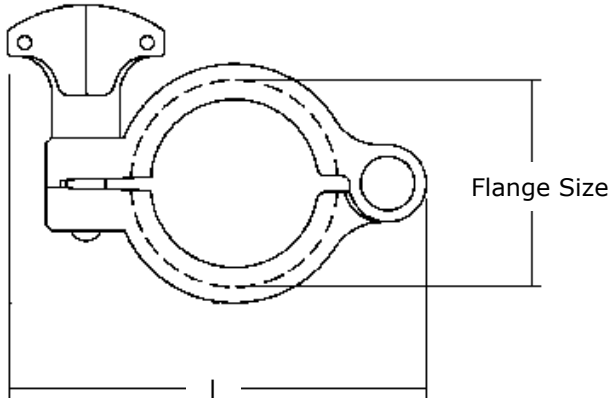


Standard DIN High Pressure Clamp		
Size DN	l	Flange Size
DN 25	101,6	50,5
DN 32	101,6	50,5
DN 40	101,6	50,5
DN 50	114,3	64,0
DN 65	140,0	91,0
DN 100	165,0	119,0

Standard ISO High Pressure Clamp		
Size DN	L	Flange Size
DN 8	60,0	25,0
DN 10	60,0	25,0
DN 15	101,6	50,5
DN 20	101,6	50,5
DN 25	101,6	50,5
DN 32	114,3	64,0
DN 40	114,3	64,0
DN 50	127,0	77,5
DN 65	140,0	91,0

Standard US OD High Pressure Clamp		
Size Inch	l	Flange Size
1/2"	60,0	25,0
3/4"	60,0	25,0
1"	101,6	50,5
1 1/2"	101,6	50,5
2"	114,3	64,0
2 1/2"	127,0	77,5
3"	140,0	91,0
4"	165,0	119,0

4.2.7 Tri-Clamp 2-part Clamp Plastic



The Heleon group has a complete programme of clamps for the Tri-Clamp connections. These plastic clamps are made of reinforced Polyamide (Nylon). This clamp is specially suitable for clamp applications which require a low force. They match very well with the plastic and Silicone end fittings program of Heleon. Because of its light weight is very practical in small laboratory processes. These clamps match perfectly with many US OD, ISO and DIN Tri-Clamp sizes.

Standards:

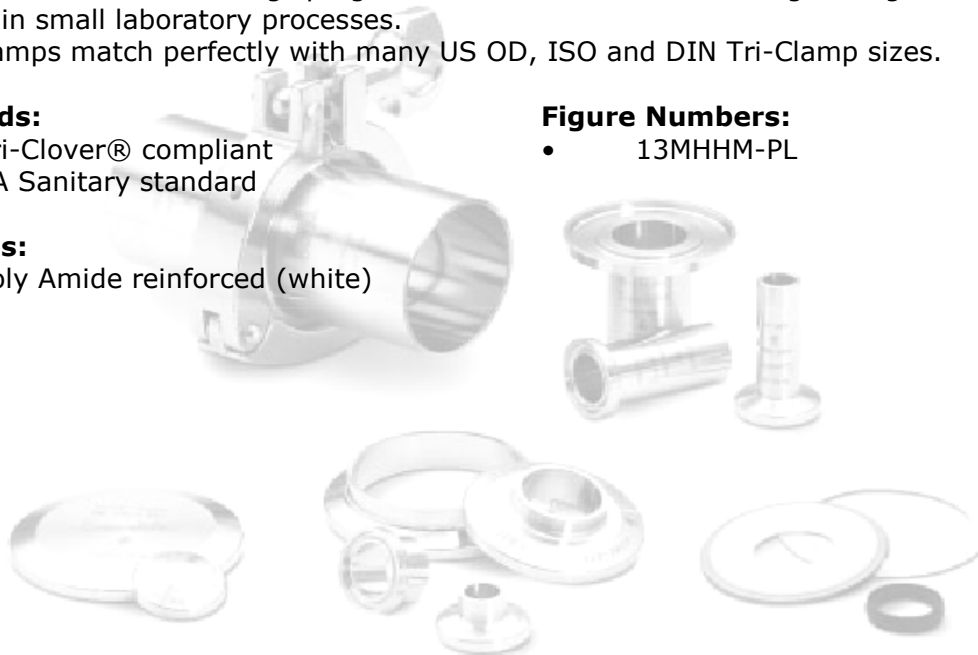
- Tri-Clover® compliant
- 3A Sanitary standard

Figure Numbers:

- 13MHHM-PL

Materials:

- Poly Amide reinforced (white)



Standard DIN Plastic 2-part Clamp		
Size DN	L	Flange Size
DN 25	87,0	50,5
DN 32	87,0	50,5
DN 40	87,0	50,5
DN 50	107,0	64,0
DN 65	140,0	91,0
DN 100	168,0	119,0

Standard ISO Plastic 2-part Clamp		
Size DN	L	Flange Size
DN 8	42,0	25,0
DN 10	42,0	25,0
DN 15	87,0	50,5
DN 20	87,0	50,5
DN 25	87,0	50,5
DN 32	107,0	64,0
DN 40	107,0	64,0
DN 50	123,0	77,5
DN 65	140,0	91,0

Standard US OD Plastic 2-part Clamp		
Size Inch	L	Flange Size
1/2"	42,0	25,0
3/4"	42,0	25,0
1"	87,0	50,5
1 1/2"	87,0	50,5
2"	107,0	64,0
2 1/2"	123,0	77,5
3"	140,0	91,0
4"	168,0	119,0