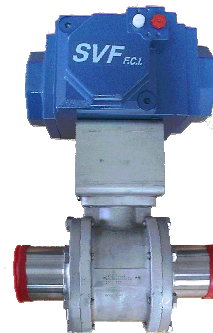
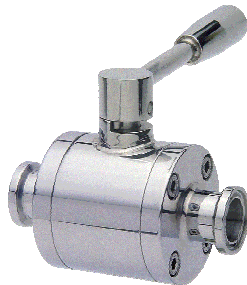
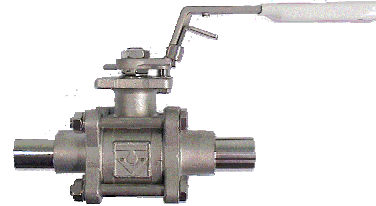
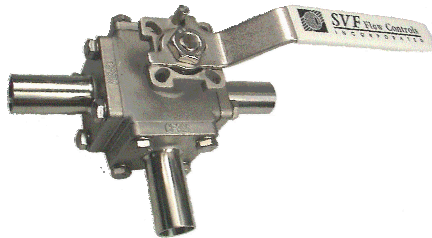


## THE PHARMACEUTICAL CATALOGUE

**AR** aerre inox s.r.l.



**SVF Flow Controls**  
INCORPORATED

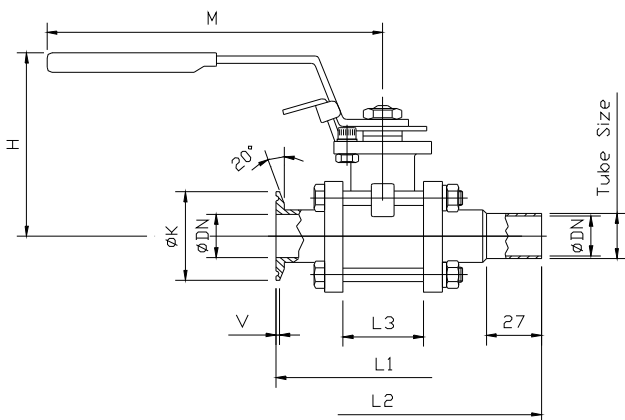


# SANITARY BALL VALVES

## Contents

TVC Sanitary Ball Valve - type 70T . . . . .	1.51
SVF Sanitary Ball Valve - type SB7 & SB7F . . . . .	1.52
SVF Sanitary Multiport Ball Valve - type SMC9 . . . . .	1.53
Aerre Inox Sanitary Ball Valve - type VSS . . . . .	1.54

Heleon can not be held responsible for possible negative consequences or mistakes, due to information in this catalogue. Specification subject to change without notice.

**1.51 TVC Sanitary Ball Valve type 70-T**

**Applications:**

- Designed for clean process fluids, steam and gases like: Clean air, clean steam, purified gas distribution and more...
- Suitable for many hygienic & sanitary applications.

**Advantages:**

- Sanitary true bore and smooth finished internal surface.
- Seat made of TFM and cavity fillers to avoid product hold-up.
- Tri-Clover® compliant clamp connections or long weld-ends.
- PTFE life loaded double stem seal design (TA-LUFT).
- ISO 5211 mounting pad for automation option.
- Handle lock device.
- Stem made of SS 316 and is blow-out proof.
- Three piece cast body for easy maintenance.
- High purity cleaned (water & oil free) and double bag (clean room) packed.

**Operating conditions:**

- Temperature: -34°C to 150°C
- Pressure: 63 barg for ½" – 2" and 40 barg for 2,5" – 4".

**Materials:**

- SS 316 body and ball (CF8M). Caps SS 316L (CF3M).
- TFM (PTFE) seat and PTFE body seals.
- Fasteners and handle made out of SS 304

**Certification:**

- Material certificates acc. to EN10204 3.1.B.
- Acc to Pressure Equipment Directive 97/23/EG (SEP).
- Pressure & surface finish test reports on request.

**Surface Finish:**

- Internal 0,5 Ra and 'as cast' outside

**Available standards:**

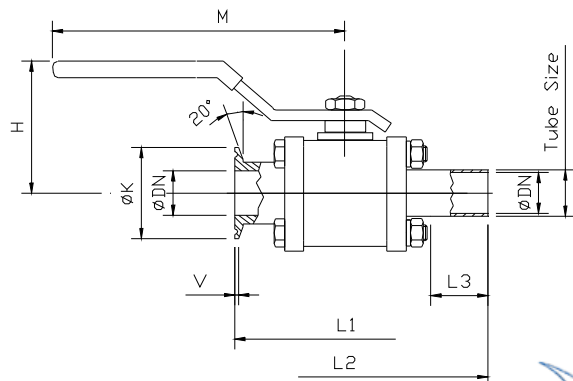
- US OD (imperial) pipe & Tri-Clamp standard
- ½" - 4" configurations: TC-TC, WE-WE or TC-WE

**Valve Automation options:**

- With EI-O-Matic actuator, spring return (standard)
- With open en close indication and/or solenoids
- With AS-Interface (ASI) valve controller.



TVC Sanitary Ball Valve type 70T									
Size Inch	Weld-ends			Tri-Clamp			L3	H	M
	Tube Size	L2	DN	L1	K	V			
1/2"	12,7x1,65	139,7	9,4	93	25,0	3,63	26,5	82	135,0
3/4"	19,05x1,65	139,7	15,8	105,2	25,0	3,63	33,2	86	135,0
1"	25,4x1,65	160	22,1	113,9	50,5	2,85	37,7	98	165,0
1 1/2"	38,1x1,65	190,5	34,8	125	50,5	2,85	58	101	165,0
2"	50,8x1,65	203,2	47,5	146	64,0	2,85	69,6	115	200,0
2 1/2"	63,5x1,65	254	60,2	174	77,5	2,85	86,5	124	200,0
3"	76,2x1,65	279,4	72,9	193	91,0	2,85	103	160	250,0
4"	101,6x2,11	317,5	97,4	219,4	119,0	2,85	125	170	250,0

**1.52**
**SVF Sanitary Ball Valve** type SB7 & SB7F


SVF Ball valves (a 4" valve and two 1" valves, all manual operated)

**Applications:**

- Designed for clean process fluids, steam and gases for the pharmaceutical, bio-tech and semiconductor industries.
- For high purity water & gases, clean steam and vacuum.

**Advantages:**

- Sanitary drainable design and full port flow trough.
- Smooth finished internal surface.
- Seat made of TFM and cavity fillers to avoid product hold-up.
- Tri-Clover® compliant clamp connections or long weld-ends.
- A combination of PTFE & PEEK guarantee a life loaded double stem seal.
- Integral ISO 5211 mounting pad for automation option.
- Encapsulated body fasteners for better cleanability.
- Stem made of SS 316 and is blow-out proof.
- Three piece cast body for easy maintenance.
- High purity cleaned (water & oil free) and double bag (clean room) packed.

**Operating conditions:**

- Temperature: -45°C to 180°C
- Pressure: 100 barg for ½" – 2" and 45 barg for 2,5" – 4".
- For steam service: 10 barg vor ½" - 4" at 180°C max.

**Surface Finish:**

- Internal 0,5 Ra and 'as cast' outside

**Available standards:**

- US OD (imperial) pipe & Tri-Clamp standard
- ½" - 6" configurations: TC-TC, WE-WE or TC-WE

**Forged SVF Ball Valve**

- Type SB7F with forged SS 316L (A-182) body
- ½" – 2" configurations: TC-TC, WE-WE or TC-WE
- For high purity applications in demanding applications.
- Equipped with 'fine adjust handle' for exact positioning.
- Controlled delta ferrite to < 1%.



SB7F 1" forged valve with weld-ends

**Forged body!**

**Materials:**

- SS 316L body, ball and caps (CF3M).
- TFM (PTFE) seat and PTFE & PEEK body seals, fasteners made out of SS 316 and handle of SS 304
- Electro-Polished.
- Available in Hastelloy, Monel, AL6XN, etc...
- Customized designs for special applications.

**Certification:**

- Material certificates acc. to EN10204 3.1.B.
- Acc to Pressure Equipment Directive 97/23/EG (SEP).
- ATEX approved acc. to Directive 94/9/EC (ATEX95)
- Fully compliant with ASME-BPE specifications.
- Pressure & surface finish test reports on request.

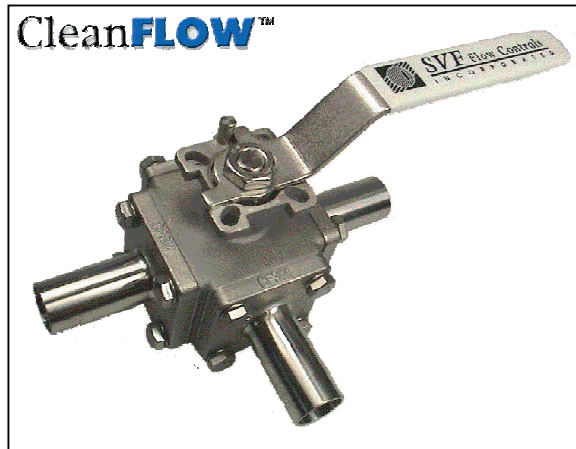
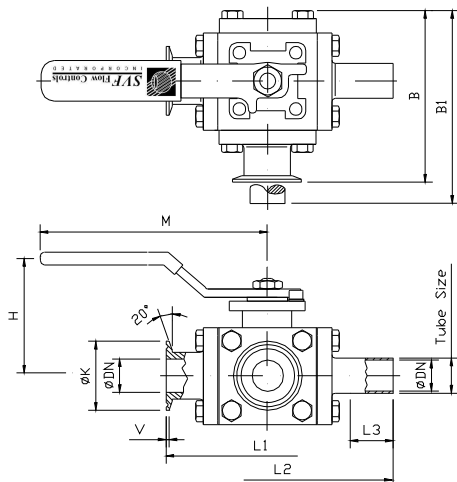
**Valve Automation options:**

- With SVF Aero® compact pneumatic actuator.
- With open en close indication and with solenoids mounted.
- With AS-Interface (ASI) valve controller.
- With SVF Electrical actuators



SVF Sanitary Ball Valve type SB7 & SB7F									
Size Inch	Weld-ends			DN	Tri-Clamp			H	M
	Tube Size	L2	L3		L1	K	V		
1/2"	12,7x1,65	139,7	25,4	9,4	88,9	25	3,63	46	115
3/4"	19,05x1,65	152,4	25,4	15,8	101,6	25	3,63	48	115
1"	25,4x1,65	165,1	25,4	22,1	114,3	50,5	2,85	61	147
1 1/2"	38,1x1,65	190,5	25,4	34,8	139,7	50,5	2,85	81	178
2"	50,8x1,65	203,2	22,2	47,5	158,8	64	2,85	86	178
2 1/2"	63,5x1,65	241,3	41,0	60,2	159,3	77,5	2,85	148	254
3"	76,2x1,65	266,7	44,5	72,9	177,8	91	2,85	185	351
4"	101,6x2,11	317,5	50,8	97,4	215,9	119	2,85	204	560
6"	152,4x2,77	*	*	146,9	*	167	4,5	*	*

\* Sizes on request

**1.53 SVF Sanitary Multiport Ball Valve type SMC9**


1" multiport ball valve with weld-ends, manually operated

**Applications:**

- Designed for clean process fluids, steam and gases for the pharmaceutical, bio-tech and semiconductor industries.
- For high purity water & gases, clean steam and vacuum.

**Advantages:**

- These multiport ball valve are also part of the CleanFLOW® line of the SVF high purity ball valves and share all the basic features and benefits of the SB7 and SB7F (see page 1.52).
- Available in "L" and "T" ported ball and 90° or 180° operation.
- Four-seat design (cavity filled) for flow in all directions.
- Many flow patterns possible and flow pattern is shown on top of the spindle for operators information.

**Operating conditions:**

- Temperature: -45°C to 180°C
- Pressure: 100 barg for ½" – 2" and 45 barg for 2,5" – 4".
- For steam service: 10 barg vor ½" - 4" at 180°C max.

**Surface Finish:**

- Internal 0,5 Ra and 'as cast' outside

**Materials:**

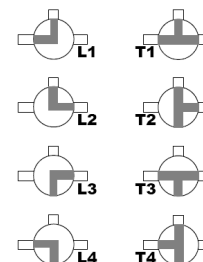
- SS 316L body, ball and caps (CF3M).
- TFM (PTFE) seat and PTFE & PEEK body seals, fasteners made out of SS 316 and handle of SS 304
- Electro-Polished.
- Available in Hastelloy®, Monel®, AL6XN, etc...

**Certification:**

- Material certificates acc. to EN10204 3.1.B.
- Acc to Pressure Equipment Directive 97/23/EG (SEP).
- Fully compliant with ASME-BPE 2002 spec.
- Pressure & surface finish test reports on request.

**Flow Patterns:**

- Available in "L" and "T" ported ball and 90° or 180° operation angle.
- Figures for porting specify flow direction.
- For 4-ported flow patterns please contact us.


**Valve Automation options:**

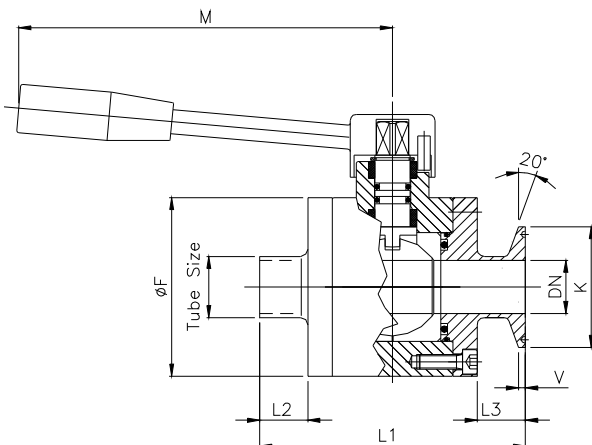
- With SVF Aero® compact pneumatic actuator for 90° and 180° degree extended rotation angle.
- With open en close indication and with solenoids mounted.
- With AS-Interface (ASI) valve controller.
- With SVF Electrical actuator.

**Available standards:**

- US OD (imperial) pipe & Tri-Clamp standard
- ½" - 4" all types of configurations with TC or Weld-ends.

SVF Multiport Sanitary Ball Valve type SMC9											
Size Inch	Weld-ends				DN	Tri-Clamp					M
	Tube Size	L2	L3	B1		L1	K	B	V	H	
1/2"	12,7x1,65	94,0	25,4	119,9	9,4	118,1	25	94,0	3,63	45	120
3/4"	19,05x1,65	102,1	25,4	130,0	15,8	127,0	25	102,1	3,63	48	120
1"	25,4x1,65	119,1	25,4	138,9	22,1	152,4	50,5	119,1	2,85	61	137
1 1/2"	38,1x1,65	143,0	25,4	168,4	34,8	175,0	50,5	143,0	2,85	81	182
2"	50,8x1,65	172,0	22,2	191,0	47,5	200,2	64	171,9	2,85	86	182
2 1/2"	63,5x1,65	179,6	41,0	201,7	60,2	238,0	77,5	179,6	2,85	148	371
3"	76,2x1,65	209,6	44,5	245,6	72,9	272,0	91	215,9	2,85	185	559
4"	101,6x2,11	*	*	*	97,4	*	119	*	2,85	*	*

\* Sizes on request

**1.54 Aerre Inox Sanitary Ball Valve type VSS**


3/4" ball valve with Tri-Clamp ends, outside polished, manually operated

**Applications:**

- Designed for clean process fluid and gas for the pharmaceutical, bio-tech and food & dairy industries.
- **Clean Steam application: only without cavity fillers**
- For clean rooms use.

**Advantages:**

- Sanitary true bore and smooth finished internal surface.
- Seat made of Glass reinforced PTFE and cavity fillers to avoid product hold-up.
- Tri-Clover® compliant clamp connections or long weld-ends.
- Double O-ring stem seal and stem is blow-out proof .
- Solid machined handle for good grip and cleanability.
- Three piece machined body with slotted screws and which is standard polished outside.
- Valve is easy to clean, excellent for clean room use.

**Operating conditions:**

- Temperature: 0°C to 150°C.
- Pressure: 30 barg max. at 20°C.

**Materials:**

- SS 316L body, caps and ball.
- PTFE glass reinforced seats and EPDM body seals.
- Fasteners and handle made out of SS 304.

**Surface Finish:**

- Internal 0,8 Ra and 'mirror finish' outside standard.
- Internal 0,4 Ra optional.

**Certification:**

- Material certificates acc. to EN10204 3.1.B.
- Acc to Pressure Equipment Directive 97/23/EG (SEP).
- Pressure & surface finish test reports on request.

**Available standards:**

- With DIN 11851 dairy sanitary connections (female ends) DN15 – DN100
- US OD (imperial) pipe & Tri-Clamp standard. 1/2" - 4" all types of configurations with TC or Weld-ends.

**Valve Automation options:**

- With Aerre Inox Stainless Steel vertical pneumatic actuator (spring return of double action).
- With Aerre Inox Aluminum compact horizontal pneumatic Actuator (spring return of double action).
- With open en close indication and with solenoids mounted.



Aerre Inox Sanitary Ball Valve type VSS									
Size Inch	Weld-ends		DN	Tri-Clamp			L3	H	M
	Tube Size	L2		L1	K	V			
1/2"	12,7x1,65	16,0	9,4	84,0	25,0	3,63	16,0	52	95,0
3/4"	19,05x1,65	16,0	15,8	84,0	25,0	3,63	16,0	52	95,0
1"	25,4x1,65	20,0	22,1	110,0	50,5	2,85	20,0	74	125,0
1 1/2"	38,1x1,65	31,0	34,8	145,0	50,5	2,85	31,0	84	185,0
2"	50,8x1,65	30,5	47,5	160,0	64,0	2,85	30,5	109	185,0
2 1/2"	63,5x1,65	35,0	60,2	180,0	77,5	2,85	35,0	118,5	240,0
3"	76,2x1,65	30,0	72,9	190,0	91,0	2,85	30,0	150	240,0
4"	101,6x2,11	26,5	97,4	220,0	119,0	2,85	26,5	185	235,0