

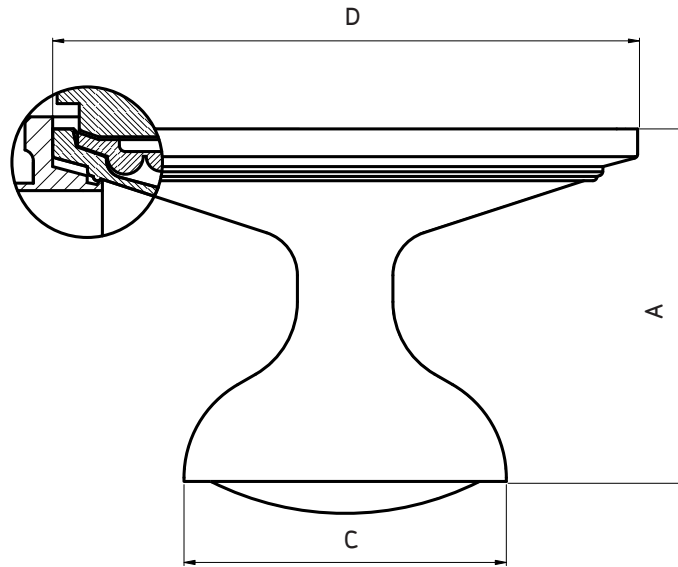
NovAseptic® VALVE, DIAPHRAGM, PTFE

PRODUCT DESCRIPTION

The NovAseptic Valve is specifically designed for aseptic applications and complies with the most stringent cleanability and sterilization requirements. The focus on aseptic design is a significant feature for all valves. The NovAseptic Valve is designed for minimum dead leg, complete drainability and high chemical resistance.

Catalogue Numbers:

NA#/25



Catalogue Number Structure

NA# / 25
 | |
 Diaphragm Model 25 = PTFE Diaphragm

Nominal Dimensions in mm (in.)

Catalogue Number	A	B	C	Compatible Valve NA#	Compatible Valve NU#
NA12/25	35.2 (1.386)	18.3 (0.720)	15.0 (0.591)	NA12	NU050
NA18/25	47.6 (1.874)	24.6 (0.969)	21.0 (0.827)	NA18	NU075
NA25/25	63.3 (2.492)	31.2 (1.228)	27.0 (1.063)	NA25	NU100
NA38/25	76.5 (3.012)	45.6 (1.795)	41.0 (1.614)	NA38	NU150
NA51/25	98.0 (3.858)	59.3 (2.335)	54.0 (2.126)	NA51	NU200
NA76/25	123.0 (4.843)	83.0 (3.268)	84.0 (3.307)	NA76	NU300

* Note: Non-standard thread, special to fit NovAseptic Actuators

Specifications

Net Weight (approximate)

Diaphragm	NA12	NA18	NA25	NA38	NA51	NA76
Weight kg (lb)	0.01 (0.022)	0.02 (0.044)	0.04 (0.088)	0.09 (0.20)	0.18 (0.397)	0.44 (0.970)

Design Temperature

	Short Term Use*	Continuous Use
Max (Dry Heat)	250 °C (482 °F)	170 °C (338 °F)
Max (Steam)	250 °C (482 °F)	170 °C (338 °F)
Min	-40 °C (-40 °F)	-40 °C (-40 °F)

* Note: <1h continuously.

PTFE Diaphragm Parts (included)

Diaphragm - Catalogue No.	Support Ring - Catalogue No.
NA12/25	N17-12R
NA18/25	N17-18R
NA25/25	N17-25R
NA38/25	N17-38R
NA51/25	N17-51R
NA76/25	N17-76R

PTFE Diaphragm Accessory (not included)

Diaphragm - Catalogue No.	Spring Closed Valve Seal - Catalogue No.**	Specification Sheet - Lit. No.
NA12/25	NA12/84	SP1009EN00
NA18/25	NA18/84	SP1009EN00
NA25/25	NA25/84	SP1009EN00
NA38/25	NA38/84	SP1009EN00
NA51/25	NA51/84	SP1009EN00
NA76/25	NA76/84	SP1009EN00

** Note: Use Spring Closed Valve Seal when using PTFE Diaphragm with NovAseptiC Valves.

Specifications

Additional Information	
Material	PTFE, polytetrafluoroethylene. The Diaphragm is manufactured from 100% solid PTFE bar
Surface Roughness	Smooth (hydrophobic)
Labeling	Each box is labeled for full traceability according to Millipore QA routines
Packaging	The Diaphragm is packaged in a closed box
Quality Control	Millipore Quality Assurance System guarantees the control and traceability of the product
In Compliance with	All Diaphragms are manufactured with materials in compliance with FDA regulations §177.1550 and supplied with statement. The Diaphragm meets USP Biological Tests for Plastics, Class VI

**Note: The applied valve body and actuator may have different design temperature and/or pressure limits. The weakest component in the assembled product determines the maximum design temperature and pressure limits.*



www.millipore.com/offices

Millipore and NovAseptic are registered trademarks of Millipore Corporation.
Advancing Life Science Together and M logo are trademarks of Millipore Corporation.
Specifications subject to change without notice.
Lit. No. SP1123EN00 Rev. A 10/2007.
© 2007 Millipore Corporation. All rights reserved.

ADVANCING LIFE SCIENCE TOGETHER™
Research. Development. Production.